

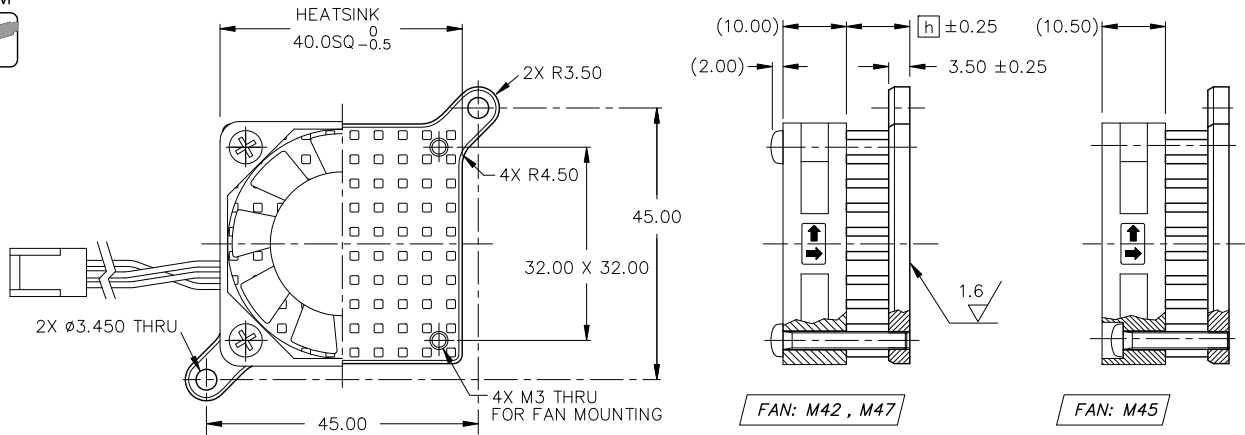
ALPHA

Active Heat Sink with Mounting Tabs

FSR40



DIM



- HEAT SINK MATERIAL : A6063
FINISH : BLACK ANODIZE
- SCREW (Q'TY 4) PAN HEAD PHILLIPS M3 STEEL Cr3+

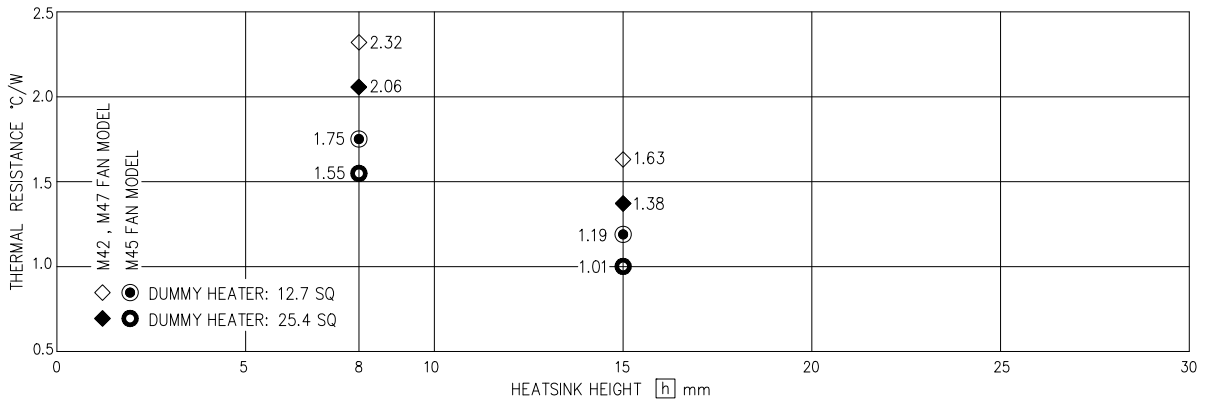
- FAN M42: SANYO DENKI (12V FAN) 109P0412H901
M47: SANYO DENKI (5V FAN) 109P0405H901
40 SQ +1/-0, 10 +1/-0 THK
M45: COFAN F-4010H12BII-12
40.5 SQ ±0.4, 10.5 ±0.2 mm THK
■ FAN DETAIL: PLEASE VISIT OUR WEBSITE.

HEATSINK HEIGHT [h]	WEIGHT (grams)	M42 FAN MODEL	WEIGHT (grams)	M45 FAN MODEL	WEIGHT (grams)	M42 FAN MODEL	WEIGHT (grams)
8.00	18.2	FSR40-8M42	42.3	FSR40-8M45	41.8	FSR40-8M42	42.3
15.00	21.4	FSR40-15M42	47.0	FSR40-15M45	46.5	FSR40-15M42	47.0

■ TO SELECT PUSH PINS AND SPRINGS, TO APPLY TIM. PLEASE VISIT OUR WEBSITE.

DIMENSIONS : mm

DATA

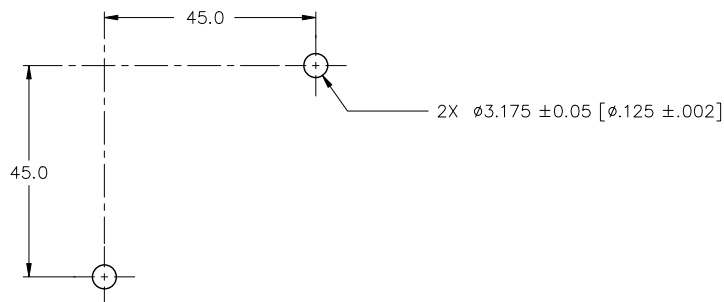


- TESTING SPECIFICATIONS, DUMMY HEATER SIZE : 12.7SQ & 25.4 SQ
- BASED ON ALPHA'S STANDARD TEST PROCEDURE. REFER TO TECHNICAL INFORMATION.

REF



PCB HOLE LAYOUT



Alpha Company Ltd.

256-1 UEDA, NUMAZU-CITY SHIZUOKA-PREF., JAPAN
 PHONE +81(55)966 0789
 FAX +81(55)966 9192
 E mail : alpha@micforg.co.jp
 URL : <https://www.micforg.co.jp>

Alpha Novatech, Inc. - a subsidiary of Alpha Company.

473 Sapena Ct. #12 Santa Clara, CA 95054 USA
 PHONE +1(408)567-8082
 FAX +1(408)567-8053
 E mail : sales@alphanovatech.com
 URL : <https://www.alphanovatech.com>