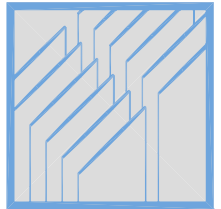
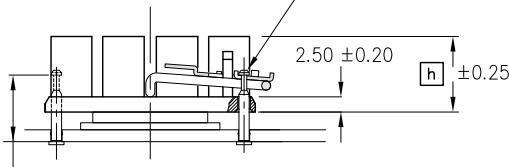
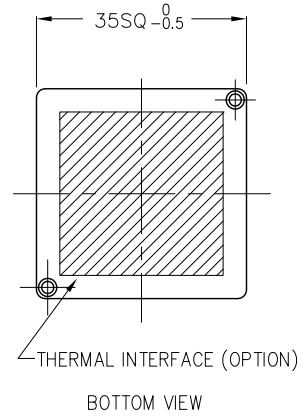
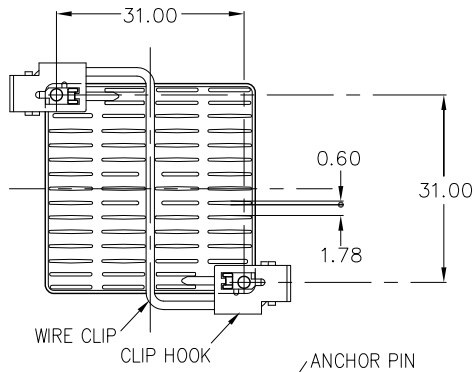


QuickSet Series  
QUBL

**ALPHA**



DIM



ANCHOR PIN LENGTH : CAN SELECT 8.00, 11.00, 13.00, OR 16.00.

- 8.00 : ANCR-8
- 11.00 : ANCR-11
- 13.00 : ANCR-13
- 16.00 : ANCR-16

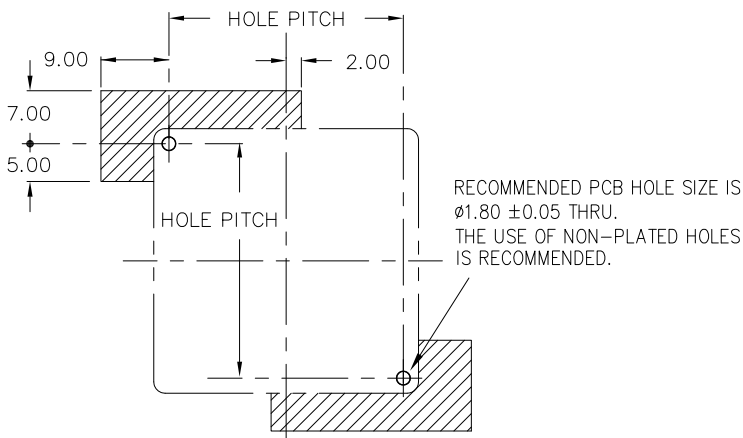
ATTACHMENT FORCE : REFER TO THE ● CLIP FORCE.

- MATERIAL
- HEATSINK : A6063 BLACK ANODIZE
- WIRE CLIP : SW-C NICKEL PRECOATED
- HOOK : STAINLESS STEEL 304
- ANCHOR : STAINLESS STEEL 303

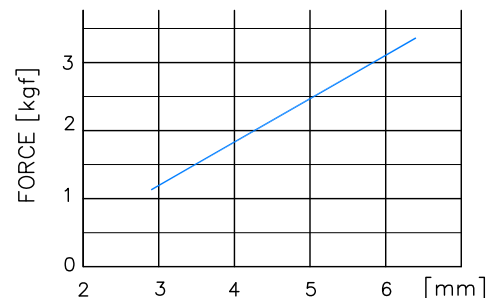
DIMENSIONS : mm

BASIC HEATSINK MODEL NUMBER	OVERALL HEIGHT [h]	BASIC HEATSINK WEIGHT (grams)	FEATURES
QUBL35-10B	10	12.7	FOR FORCED CONVECTION HIGH PERFORMANCE HEATSINK. LOW PRESSURE DROP.
QUBL35-15B	15	15.4	
QUBL35-20B	20	18.1	
QUBL35-25B	25	20.8	

● PCB HOLE PATTERN & SUGGESTED KEEP-OUT AREA



● CLIP FORCE



- ANCR-8 : CHIP HEIGHT + PCB THK + 3.0
- ANCR-11 : CHIP HEIGHT + PCB THK
- ANCR-13 : CHIP HEIGHT + PCB THK - 2.0
- ANCR-16 : CHIP HEIGHT + PCB THK - 5.0

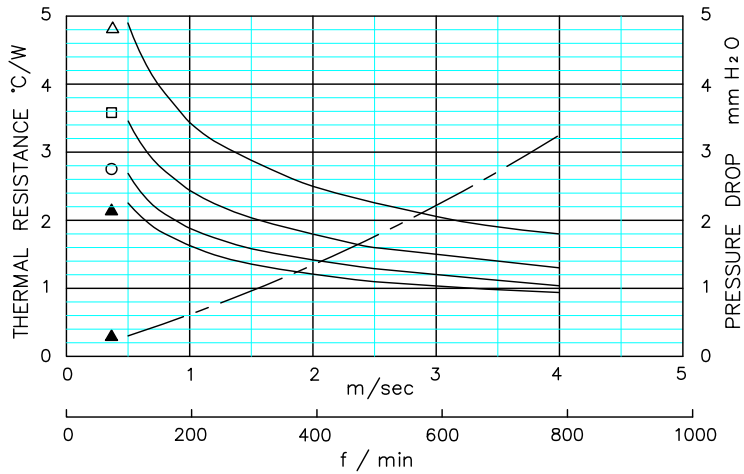
Alpha Company Ltd.

256-1 UEDA, NUMAZU-CITY SHIZUOKA-PREF., JAPAN  
 PHONE +81(55)966 0789  
 FAX +81(55)966 9192  
 E mail : alpha@micforg.co.jp  
 URL : http://www.micforg.co.jp

Alpha Novatech, Inc. - a subsidiary of Alpha Company.

473 Sapena Ct. #12 Santa Clara, CA 95054 USA  
 PHONE +1(408)567-8082  
 FAX +1(408)567-8053  
 E mail : sales@alphanovatech.com  
 URL : http://www.alphanovatech.com

DATA



- △ QUBL35-10B
- QUBL35-15B
- QUBL35-20B
- ▲ QUBL35-25B

- DUCTED CONDITION  
DUMMY HEATER SIZE: 12.7 SQ  
THERMAL RESISTANCE \_\_\_\_\_  
PRESURE DROP - - - - -
- BASED ON ALPHA'S STANDARD TEST PROCEDURE.  
REFER TO TECHNICAL INFORMATION.

AIR VELOCITY: DUCTED CONDITION

REF



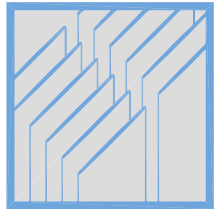
MODEL NAME INFORMATION  
TO BUILD PART NUMBER, PLEASE VISIT OUR WEBSITE [www.micforg.co.jp](http://www.micforg.co.jp) OR CONTACT ALPHA SALES.

Alpha Company Ltd.

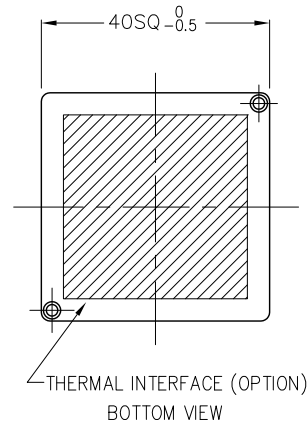
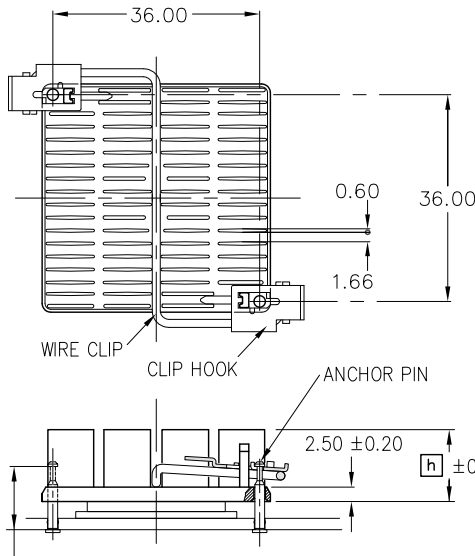
256-1 UEDA, NUMAZU-CITY SHIZUOKA-PREF., JAPAN  
 PHONE +81(55)966 0789  
 FAX +81(55)966 9192  
 E mail : [alpha@micforg.co.jp](mailto:alpha@micforg.co.jp)  
 URL : <http://www.micforg.co.jp>

Alpha Novatech, Inc. - a subsidiary of Alpha Company.

473 Sapena Ct. #12 Santa Clara, CA 95054 USA  
 PHONE +1(408)567-8082  
 FAX +1(408)567-8053  
 E mail : [sales@alphanovatech.com](mailto:sales@alphanovatech.com)  
 URL : <http://www.alphanovatech.com>



DIM



ANCHOR PIN LENGTH : CAN SELECT 8.00, 11.00, 13.00, OR 16.00.

- 8.00 : ANCR-8
- 11.00 : ANCR-11
- 13.00 : ANCR-13
- 16.00 : ANCR-16

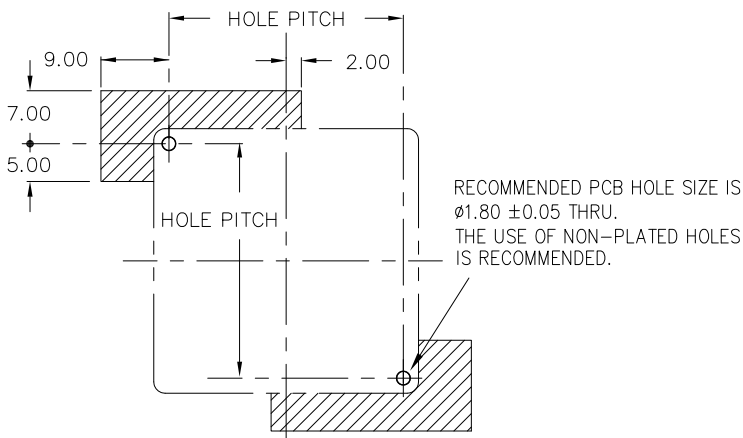
ATTACHMENT FORCE : REFER TO THE ● CLIP FORCE.

- MATERIAL
- HEATSINK : A6063 BLACK ANODIZE
- WIRE CLIP : SW-C NICKEL PRECOATED
- HOOK : STAINLESS STEEL 304
- ANCHOR : STAINLESS STEEL 303

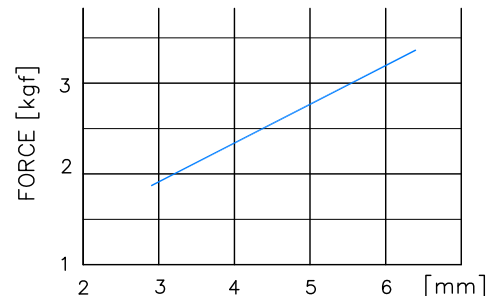
DIMENSIONS : mm

BASIC HEATSINK MODEL NUMBER	OVERALL HEIGHT [h]	BASIC HEATSINK WEIGHT (grams)	FEATURES
QUBL40-10B	10	17.0	FOR FORCED CONVECTION HIGH PERFORMANCE HEATSINK. LOW PRESSURE DROP.
QUBL40-15B	15	21.0	
QUBL40-20B	20	25.0	
QUBL40-25B	25	29.0	

● PCB HOLE PATTERN & SUGGESTED KEEP-OUT AREA



● CLIP FORCE



- ANCR-8 : CHIP HEIGHT + PCB THK + 3.0
- ANCR-11 : CHIP HEIGHT + PCB THK
- ANCR-13 : CHIP HEIGHT + PCB THK - 2.0
- ANCR-16 : CHIP HEIGHT + PCB THK - 5.0

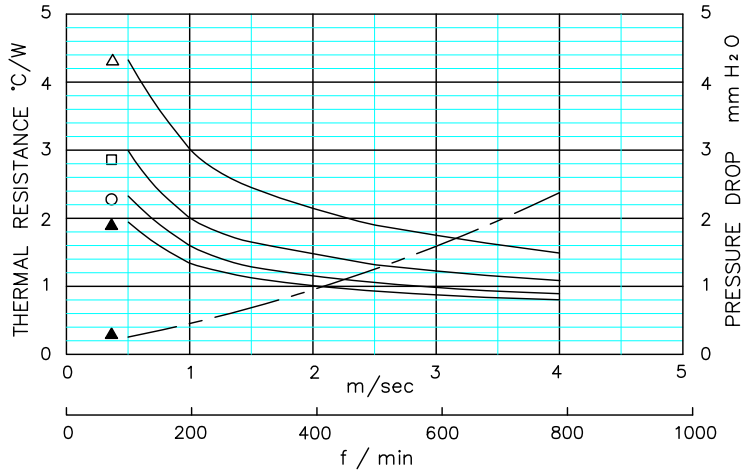
Alpha Company Ltd.

256-1 UEDA, NUMAZU-CITY SHIZUOKA-PREF., JAPAN  
 PHONE +81(55)966 0789  
 FAX +81(55)966 9192  
 E mail : alpha@micforg.co.jp  
 URL : http://www.micforg.co.jp

Alpha Novatech, Inc. - a subsidiary of Alpha Company.

473 Sapena Ct. #12 Santa Clara, CA 95054 USA  
 PHONE +1(408)567-8082  
 FAX +1(408)567-8053  
 E mail : sales@alphanovatech.com  
 URL : http://www.alphanovatech.com

DATA



- △ QUBL40-10B
- QUBL40-15B
- QUBL40-20B
- ▲ QUBL40-25B

- DUCTED CONDITION  
DUMMY HEATER SIZE: 12.7 SQ  
THERMAL RESISTANCE \_\_\_\_\_  
PRESURE DROP - - - - -
- BASED ON ALPHA'S STANDARD TEST PROCEDURE.  
REFER TO TECHNICAL INFORMATION.

AIR VELOCITY: DUCTED CONDITION

REF



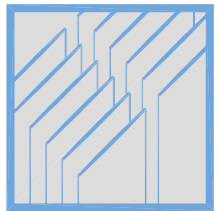
MODEL NAME INFORMATION  
TO BUILD PART NUMBER, PLEASE VISIT OUR WEBSITE [www.micforg.co.jp](http://www.micforg.co.jp) OR CONTACT ALPHA SALES.

Alpha Company Ltd.

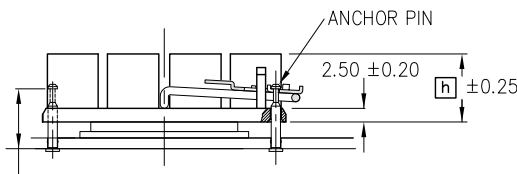
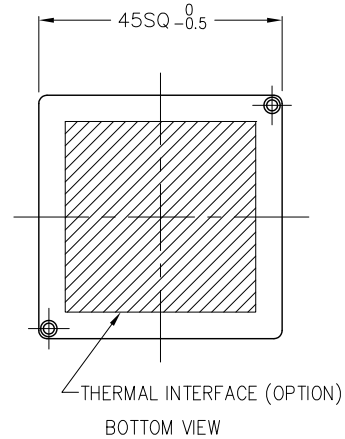
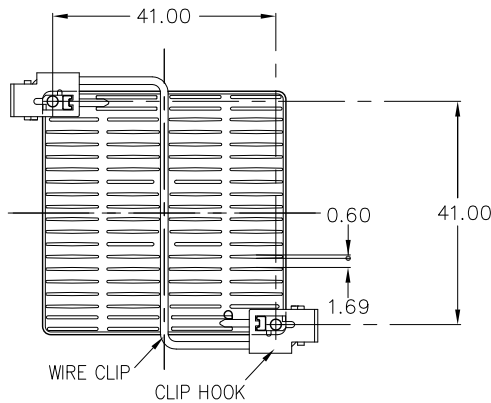
256-1 UEDA, NUMAZU-CITY SHIZUOKA-PREF., JAPAN  
PHONE +81(55)966 0789  
FAX +81(55)966 9192  
E mail : [alpha@micforg.co.jp](mailto:alpha@micforg.co.jp)  
URL : <http://www.micforg.co.jp>

Alpha Novatech, Inc. - a subsidiary of Alpha Company.

473 Sapena Ct. #12 Santa Clara, CA 95054 USA  
PHONE +1(408)567-8082  
FAX +1(408)567-8053  
E mail : [sales@alphanovatech.com](mailto:sales@alphanovatech.com)  
URL : <http://www.alphanovatech.com>



DIM



ANCHOR PIN LENGTH : CAN SELECT 8.00, 11.00, 13.00, OR 16.00.

- 8.00 : ANCR-8
- 11.00 : ANCR-11
- 13.00 : ANCR-13
- 16.00 : ANCR-16

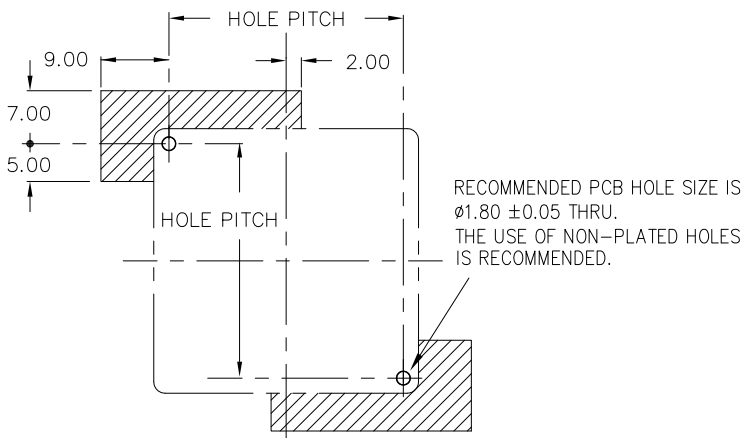
ATTACHMENT FORCE : REFER TO THE ● CLIP FORCE.

- MATERIAL
- HEATSINK : A6063 BLACK ANODIZE
  - WIRE CLIP : SW-C NICKEL PRECOATED
  - HOOK : STAINLESS STEEL 304
  - ANCHOR : STAINLESS STEEL 303

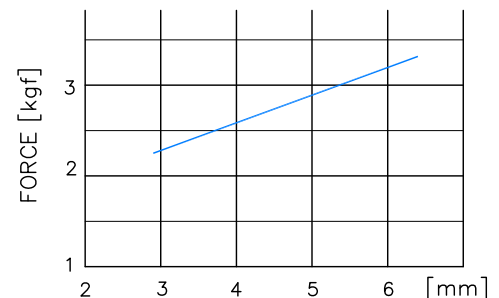
DIMENSIONS : mm

BASIC HEATSINK MODEL NUMBER	OVERALL HEIGHT [h]	BASIC HEATSINK WEIGHT (grams)	FEATURES
QUBL45-10B	10	21.9	FOR FORCED CONVECTION HIGH PERFORMANCE HEATSINK. LOW PRESSURE DROP.
QUBL45-15B	15	27.2	
QUBL45-20B	20	32.5	
QUBL45-25B	25	37.8	

● PCB HOLE PATTERN & SUGGESTED KEEP-OUT AREA



● CLIP FORCE



- ANCR-8 : CHIP HEIGHT + PCB THK + 3.0
- ANCR-11 : CHIP HEIGHT + PCB THK
- ANCR-13 : CHIP HEIGHT + PCB THK - 2.0
- ANCR-16 : CHIP HEIGHT + PCB THK - 5.0

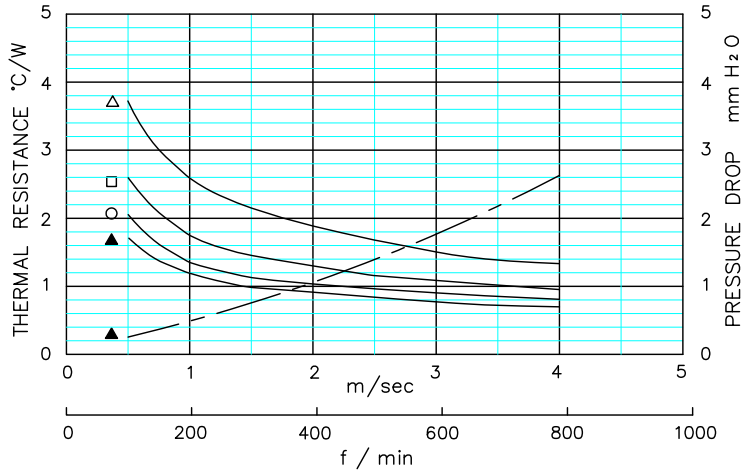
Alpha Company Ltd.

256-1 UEDA, NUMAZU-CITY SHIZUOKA-PREF., JAPAN  
 PHONE +81(55)966 0789  
 FAX +81(55)966 9192  
 E mail : alpha@micforg.co.jp  
 URL : http://www.micforg.co.jp

Alpha Novatech, Inc. - a subsidiary of Alpha Company.

473 Sapena Ct. #12 Santa Clara, CA 95054 USA  
 PHONE +1(408)567-8082  
 FAX +1(408)567-8053  
 E mail : sales@alphanovatech.com  
 URL : http://www.alphanovatech.com

DATA



- △ QUBL45-10B
- QUBL45-15B
- QUBL45-20B
- ▲ QUBL45-25B

- DUCTED CONDITION  
DUMMY HEATER SIZE: 12.7 SQ  
THERMAL RESISTANCE \_\_\_\_\_  
PRESURE DROP - - - - -
- BASED ON ALPHA'S STANDARD TEST PROCEDURE.  
REFER TO TECHNICAL INFORMATION.

AIR VELOCITY: DUCTED CONDITION

REF



MODEL NAME INFORMATION

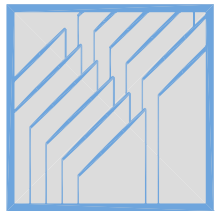
TO BUILD PART NUMBER, PLEASE VISIT OUR WEBSITE [www.micforg.co.jp](http://www.micforg.co.jp) OR CONTACT ALPHA SALES.

Alpha Company Ltd.

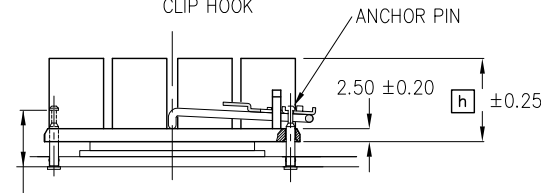
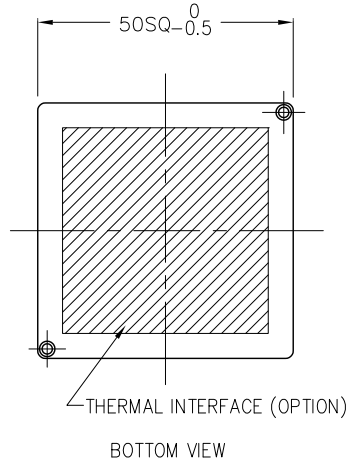
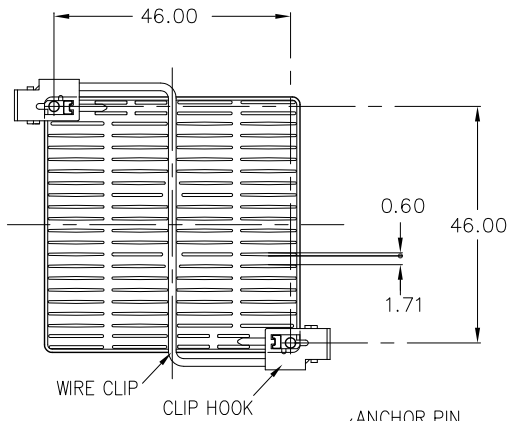
256-1 UEDA, NUMAZU-CITY SHIZUOKA-PREF., JAPAN  
 PHONE +81(55)966 0789  
 FAX +81(55)966 9192  
 E mail : [alpha@micforg.co.jp](mailto:alpha@micforg.co.jp)  
 URL : <http://www.micforg.co.jp>

Alpha Novatech, Inc. - a subsidiary of Alpha Company.

473 Sapena Ct. #12 Santa Clara, CA 95054 USA  
 PHONE +1(408)567-8082  
 FAX +1(408)567-8053  
 E mail : [sales@alphanovatech.com](mailto:sales@alphanovatech.com)  
 URL : <http://www.alphanovatech.com>



DIM



ANCHOR PIN LENGTH : CAN SELECT 8.00, 11.00, 13.00, OR 16.00.

- 8.00 : ANCR-8
- 11.00 : ANCR-11
- 13.00 : ANCR-13
- 16.00 : ANCR-16

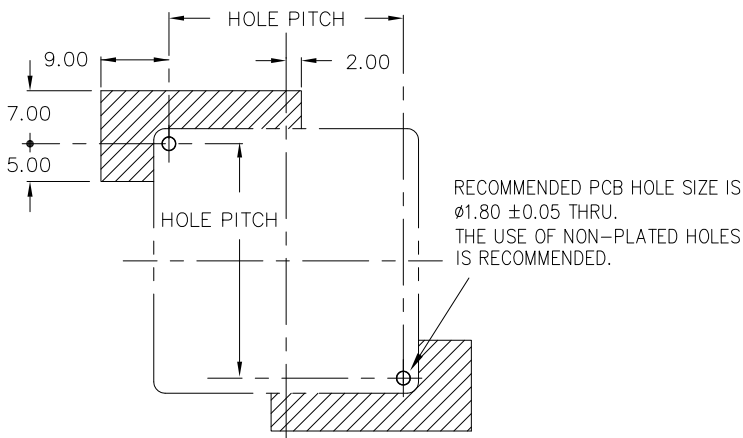
ATTACHMENT FORCE : REFER TO THE ● CLIP FORCE.

- MATERIAL
- HEATSINK : A6063 BLACK ANODIZE
  - WIRE CLIP : SW-C NICKEL PRECOATED
  - HOOK : STAINLESS STEEL 304
  - ANCHOR : STAINLESS STEEL 303

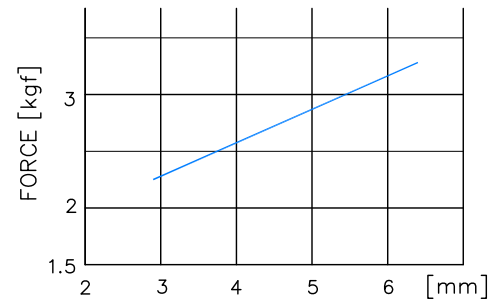
DIMENSIONS : mm

BASIC HEATSINK MODEL NUMBER	OVERALL HEIGHT [h]	BASIC HEATSINK WEIGHT (grams)	FEATURES
QUBL50-10B	10	27.7	FOR FORCED CONVECTION HIGH PERFORMANCE HEATSINK. LOW PRESSURE DROP.
QUBL50-15B	15	34.6	
QUBL50-20B	20	41.5	
QUBL50-25B	25	48.4	

● PCB HOLE PATTERN & SUGGESTED KEEP-OUT AREA



● CLIP FORCE



- ANCR-8 : CHIP HEIGHT + PCB THK + 3.0
- ANCR-11 : CHIP HEIGHT + PCB THK
- ANCR-13 : CHIP HEIGHT + PCB THK - 2.0
- ANCR-16 : CHIP HEIGHT + PCB THK - 5.0

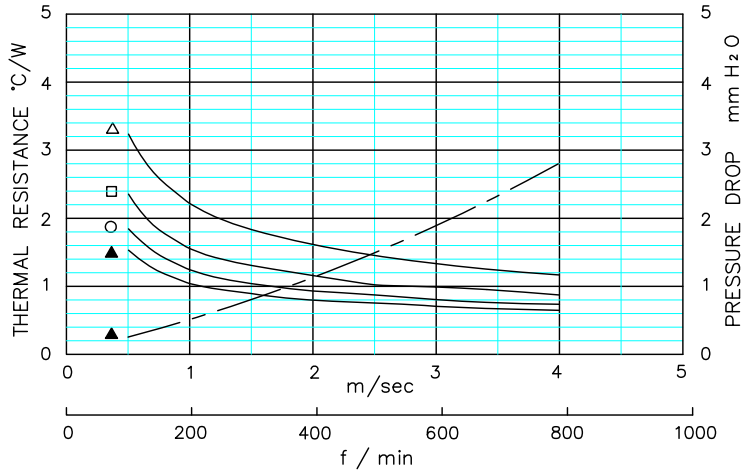
Alpha Company Ltd.

256-1 UEDA, NUMAZU-CITY SHIZUOKA-PREF., JAPAN  
 PHONE +81(55)966 0789  
 FAX +81(55)966 9192  
 E mail : alpha@micforg.co.jp  
 URL : http://www.micforg.co.jp

Alpha Novatech, Inc. - a subsidiary of Alpha Company.

473 Sapena Ct. #12 Santa Clara, CA 95054 USA  
 PHONE +1(408)567-8082  
 FAX +1(408)567-8053  
 E mail : sales@alphanovatech.com  
 URL : http://www.alphanovatech.com

DATA



- △ QUBL50-10B
- QUBL50-15B
- QUBL50-20B
- ▲ QUBL50-25B

- DUCTED CONDITION  
DUMMY HEATER SIZE: 12.7 SQ  
THERMAL RESISTANCE \_\_\_\_\_  
PRESURE DROP - - - - -
- BASED ON ALPHA'S STANDARD TEST PROCEDURE.  
REFER TO TECHNICAL INFORMATION.

AIR VELOCITY: DUCTED CONDITION

REF



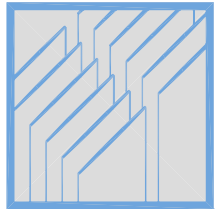
MODEL NAME INFORMATION  
TO BUILD PART NUMBER, PLEASE VISIT OUR WEBSITE [www.micforg.co.jp](http://www.micforg.co.jp) OR CONTACT ALPHA SALES.

Alpha Company Ltd.

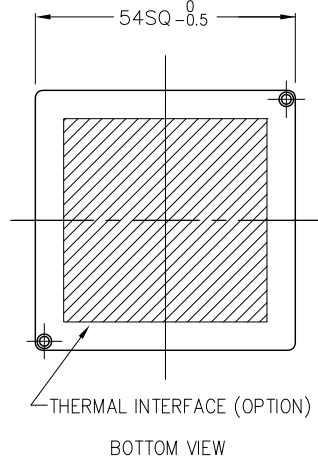
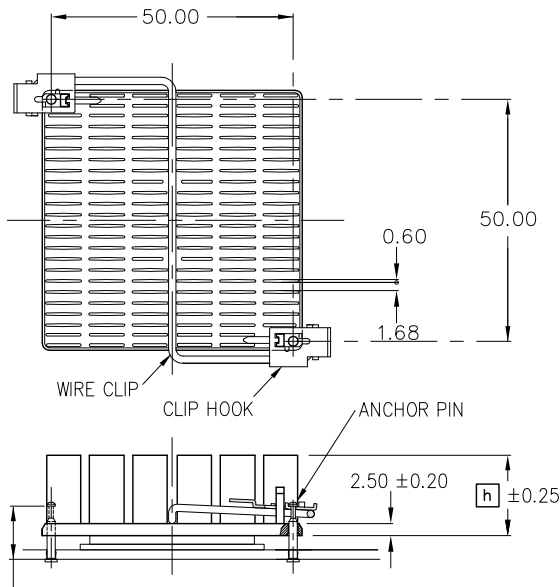
256-1 UEDA, NUMAZU-CITY SHIZUOKA-PREF., JAPAN  
 PHONE +81(55)966 0789  
 FAX +81(55)966 9192  
 E mail : [alpha@micforg.co.jp](mailto:alpha@micforg.co.jp)  
 URL : <http://www.micforg.co.jp>

Alpha Novatech, Inc. - a subsidiary of Alpha Company.

473 Sapena Ct. #12 Santa Clara, CA 95054 USA  
 PHONE +1(408)567-8082  
 FAX +1(408)567-8053  
 E mail : [sales@alphanovatech.com](mailto:sales@alphanovatech.com)  
 URL : <http://www.alphanovatech.com>



DIM



ANCHOR PIN LENGTH : CAN SELECT 8.00, 11.00, 13.00, OR 16.00.  
 8.00 : ANCR-8  
 11.00 : ANCR-11  
 13.00 : ANCR-13  
 16.00 : ANCR-16

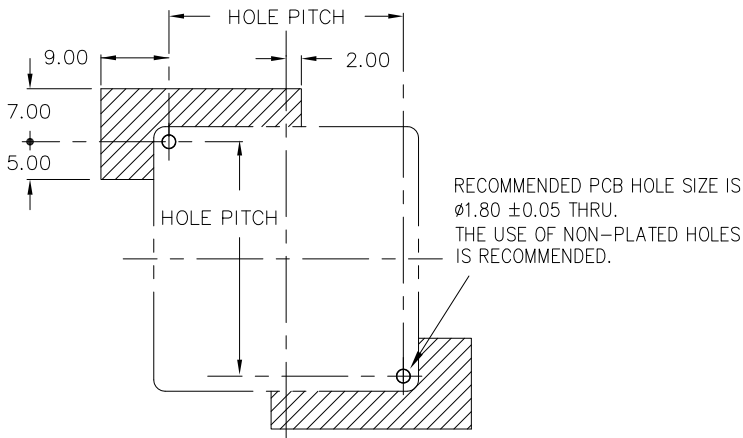
ATTACHMENT FORCE : REFER TO THE ● CLIP FORCE.

MATERIAL  
 HEATSINK : A6063 BLACK ANODIZE  
 WIRE CLIP : SW-C NICKEL PRECOATED  
 HOOK : STAINLESS STEEL 304  
 ANCHOR : STAINLESS STEEL 303

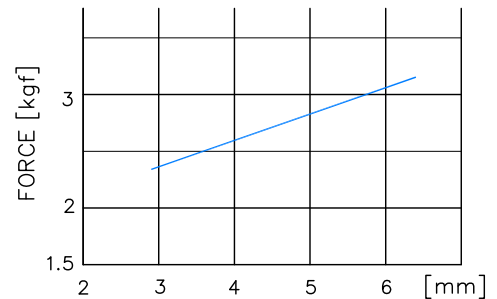
DIMENSIONS : mm

BASIC HEATSINK MODEL NUMBER	OVERALL HEIGHT [h]	BASIC HEATSINK WEIGHT (grams)	FEATURES
QUBL54-10B	10	31.7	FOR FORCED CONVECTION HIGH PERFORMANCE HEATSINK. LOW PRESSURE DROP.
QUBL54-15B	15	39.2	
QUBL54-20B	20	46.7	
QUBL54-25B	25	54.2	

● PCB HOLE PATTERN & SUGGESTED KEEP-OUT AREA



● CLIP FORCE



ANCR-8 : CHIP HEIGHT + PCB THK + 3.0  
 ANCR-11 : CHIP HEIGHT + PCB THK  
 ANCR-13 : CHIP HEIGHT + PCB THK - 2.0  
 ANCR-16 : CHIP HEIGHT + PCB THK - 5.0

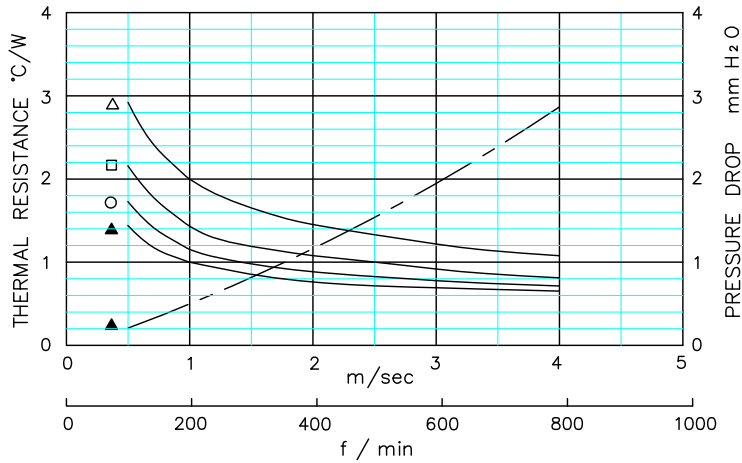
Alpha Company Ltd.

256-1 UEDA, NUMAZU-CITY SHIZUOKA-PREF., JAPAN  
 PHONE +81(55)966 0789  
 FAX +81(55)966 9192  
 E mail : alpha@micforg.co.jp  
 URL : http://www.micforg.co.jp

Alpha Novatech, Inc. - a subsidiary of Alpha Company.

473 Sapena Ct. #12 Santa Clara, CA 95054 USA  
 PHONE +1(408)567-8082  
 FAX +1(408)567-8053  
 E mail : sales@alphanovatech.com  
 URL : http://www.alphanovatech.com

DATA



- △ QUBL54-10B
- QUBL54-15B
- QUBL54-20B
- ▲ QUBL54-25B

- DUCTED CONDITION  
DUMMY HEATER SIZE: 12.7 SQ  
THERMAL RESISTANCE \_\_\_\_\_  
PRESURE DROP - - - - -
- BASED ON ALPHA'S STANDARD TEST PROCEDURE.  
REFER TO TECHNICAL INFORMATION.

AIR VELOCITY: DUCTED CONDITION

REF



MODEL NAME INFORMATION

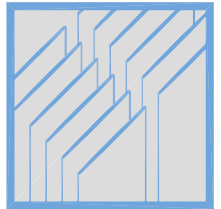
TO BUILD PART NUMBER, PLEASE VISIT OUR WEBSITE [www.micforg.co.jp](http://www.micforg.co.jp) OR CONTACT ALPHA SALES.

Alpha Company Ltd.

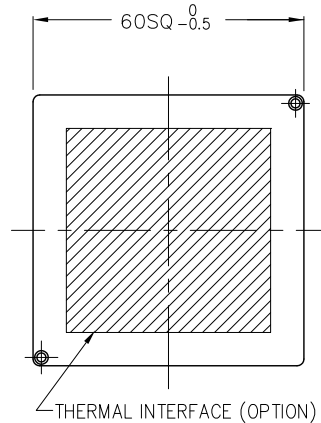
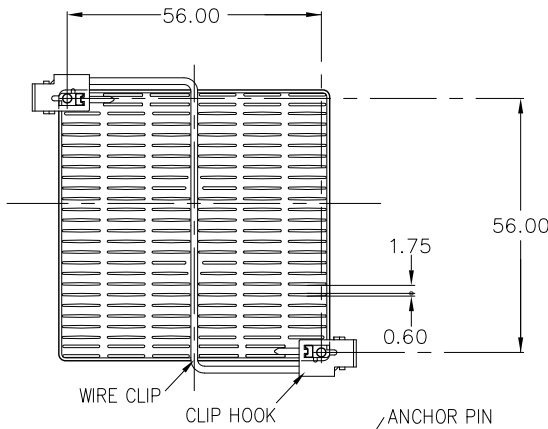
256-1 UEDA, NUMAZU-CITY SHIZUOKA-PREF., JAPAN  
 PHONE +81(55)966 0789  
 FAX +81(55)966 9192  
 E mail : [alpha@micforg.co.jp](mailto:alpha@micforg.co.jp)  
 URL : <http://www.micforg.co.jp>

Alpha Novatech, Inc. - a subsidiary of Alpha Company.

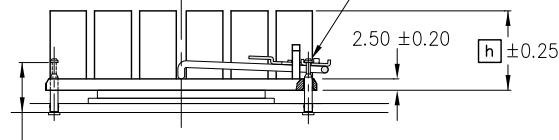
473 Sapena Ct. #12 Santa Clara, CA 95054 USA  
 PHONE +1(408)567-8082  
 FAX +1(408)567-8053  
 E mail : [sales@alphanovatech.com](mailto:sales@alphanovatech.com)  
 URL : <http://www.alphanovatech.com>



DIM



BOTTOM VIEW



ANCHOR PIN LENGTH : CAN SELECT 8.00, 11.00, 13.00, OR 16.00.

- 8.00 : ANCR-8
- 11.00 : ANCR-11
- 13.00 : ANCR-13
- 16.00 : ANCR-16

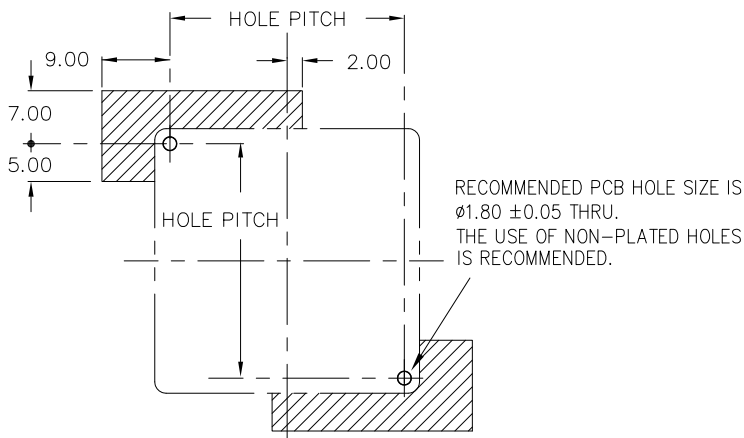
ATTACHMENT FORCE : REFER TO THE ● CLIP FORCE.

- MATERIAL
- HEATSINK : A6063 BLACK ANODIZE
- WIRE CLIP : SW-C NICKEL PRECOATED
- HOOK : STAINLESS STEEL 304
- ANCHOR : STAINLESS STEEL 303

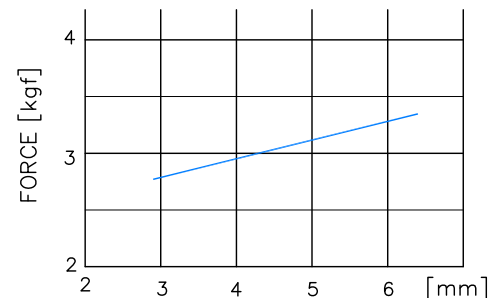
DIMENSIONS : mm

BASIC HEATSINK MODEL NUMBER	OVERALL HEIGHT [h]	BASIC HEATSINK WEIGHT (grams)	FEATURES
QUBL60-10B	10	38.6	FOR FORCED CONVECTION HIGH PERFORMANCE HEATSINK. LOW PRESSURE DROP.
QUBL60-15B	15	47.4	
QUBL60-20B	20	56.2	
QUBL60-25B	25	65	

● PCB HOLE PATTERN & SUGGESTED KEEP-OUT AREA



● CLIP FORCE



- ANCR-8 : CHIP HEIGHT + PCB THK + 3.0
- ANCR-11 : CHIP HEIGHT + PCB THK
- ANCR-13 : CHIP HEIGHT + PCB THK - 2.0
- ANCR-16 : CHIP HEIGHT + PCB THK - 5.0

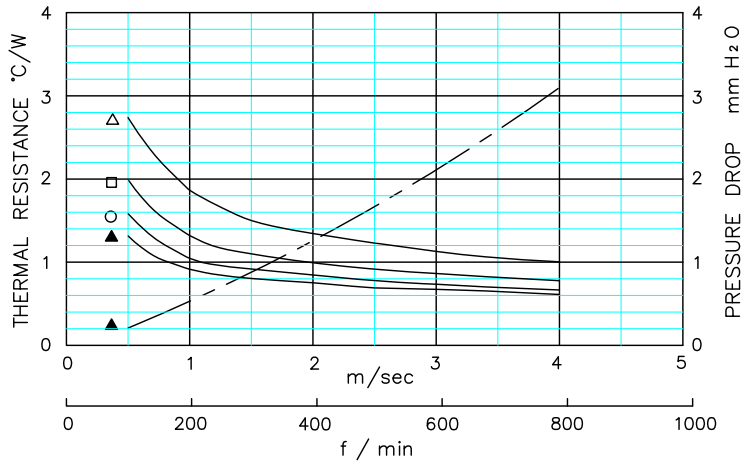
Alpha Company Ltd.

256-1 UEDA, NUMAZU-CITY SHIZUOKA-PREF., JAPAN  
 PHONE +81(55)966 0789  
 FAX +81(55)966 9192  
 E mail : alpha@micforg.co.jp  
 URL : http://www.micforg.co.jp

Alpha Novatech, Inc. - a subsidiary of Alpha Company.

473 Sapena Ct. #12 Santa Clara, CA 95054 USA  
 PHONE +1(408)567-8082  
 FAX +1(408)567-8053  
 E mail : sales@alphanovatech.com  
 URL : http://www.alphanovatech.com

DATA



- △ QUBL60-10B
- QUBL60-15B
- QUBL60-20B
- ▲ QUBL60-25B

- DUCTED CONDITION  
DUMMY HEATER SIZE: 12.7 SQ  
THERMAL RESISTANCE \_\_\_\_\_  
PRESURE DROP - - - - -
- BASED ON ALPHA'S STANDARD TEST PROCEDURE.  
REFER TO TECHNICAL INFORMATION.

AIR VELOCITY: DUCTED CONDITION

REF



MODEL NAME INFORMATION

TO BUILD PART NUMBER, PLEASE VISIT OUR WEBSITE [www.micforg.co.jp](http://www.micforg.co.jp) OR CONTACT ALPHA SALES.

Alpha Company Ltd.

256-1 UEDA, NUMAZU-CITY SHIZUOKA-PREF., JAPAN  
 PHONE +81(55)966 0789  
 FAX +81(55)966 9192  
 E mail : [alpha@micforg.co.jp](mailto:alpha@micforg.co.jp)  
 URL : <http://www.micforg.co.jp>

Alpha Novatech, Inc. - a subsidiary of Alpha Company.

473 Sapena Ct. #12 Santa Clara, CA 95054 USA  
 PHONE +1(408)567-8082  
 FAX +1(408)567-8053  
 E mail : [sales@alphanovatech.com](mailto:sales@alphanovatech.com)  
 URL : <http://www.alphanovatech.com>