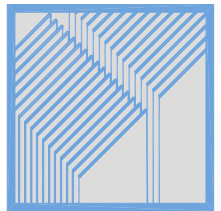
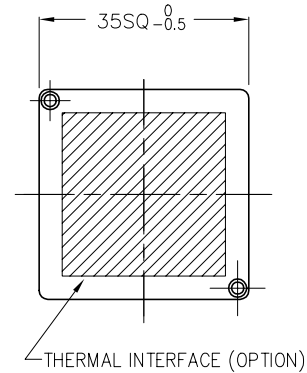
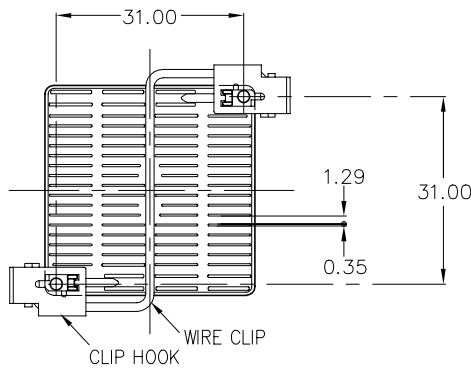


QuickSet Series
QZR

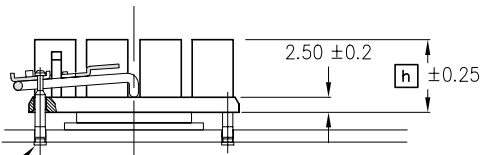
ALPHA



DIM



BOTTOM VIEW

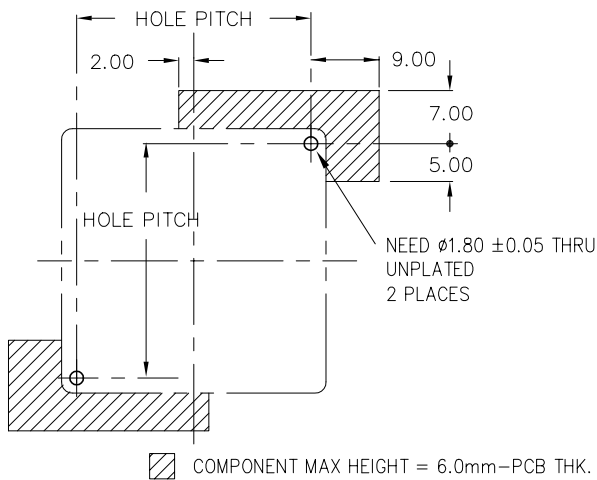


ANCHOR PIN: ANCR-11
STAINLESS STEEL 303

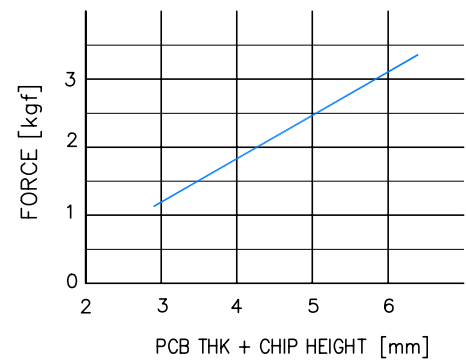
* MATERIAL: HEATSINK A6063 BLACK ANODIZE, WIRE CLIP SW-C NICKEL PRECOATED CLIP, HOOK STAINLESS STEEL 304
DIMENSIONS : mm

BASIC HEATSINK MODEL NUMBER	OVERALL HEIGHT [h]	BASIC HEATSINK WEIGHT (grams)	FEATURES
QZR35-10B	10	12.7	FOR FORCED CONVECTION HIGH PERFORMANCE HEATSINK.
QZR35-12B	12	13.9	

● PCB HOLE PATTERN & SUGGESTED KEEP-OUT AREA



● CLIP FORCE



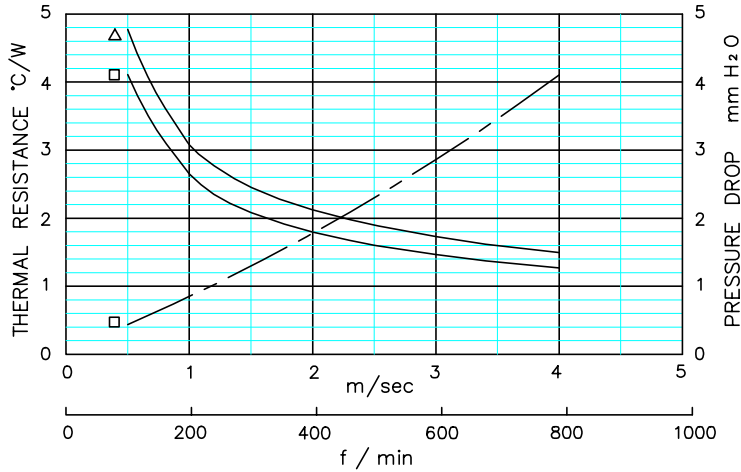
Alpha Company Ltd.

256-1 UEDA, NUMAZU-CITY SHIZUOKA-PREF., JAPAN
 PHONE +81(55)966 0789
 FAX +81(55)966 9192
 E mail : alpha@micforg.co.jp
 URL : http://www.micforg.co.jp

Alpha Novatech, Inc. - a subsidiary of Alpha Company.

473 Sapena Ct. #12 Santa Clara, CA 95054 USA
 PHONE +1(408)567-8082
 FAX +1(408)567-8053
 E mail : sales@alphanovatech.com
 URL : http://www.alphanovatech.com

DATA



△ QZR35-10B
□ QZR35-12B

- DUCTED CONDITION
DUMMY HEATER SIZE: 12.7 SQ
THERMAL RESISTANCE _____
PRESURE DROP - - - -
- BASED ON ALPHA'S STANDARD TEST PROCEDURE.
REFER TO TECHNICAL INFORMATION.

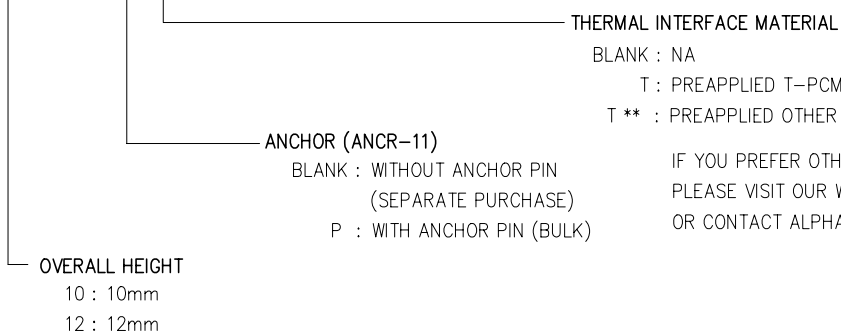
AIR VELOCITY: DUCTED CONDITION

REF



MODEL NAME INFORMATION

QZR35- [h] B - Z [P] [T]



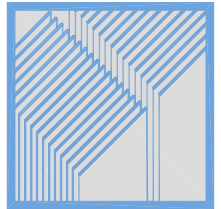
IF YOU PREFER OTHER SIZE AND MATERIAL,
PLEASE VISIT OUR WEBSITE www.micforg.co.jp
OR CONTACT ALPHA SALES.

Alpha Company Ltd.

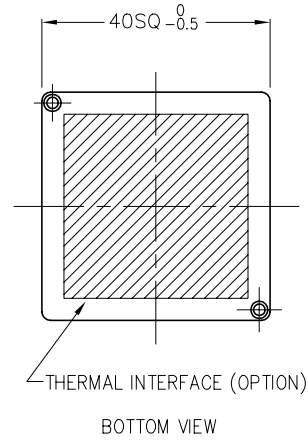
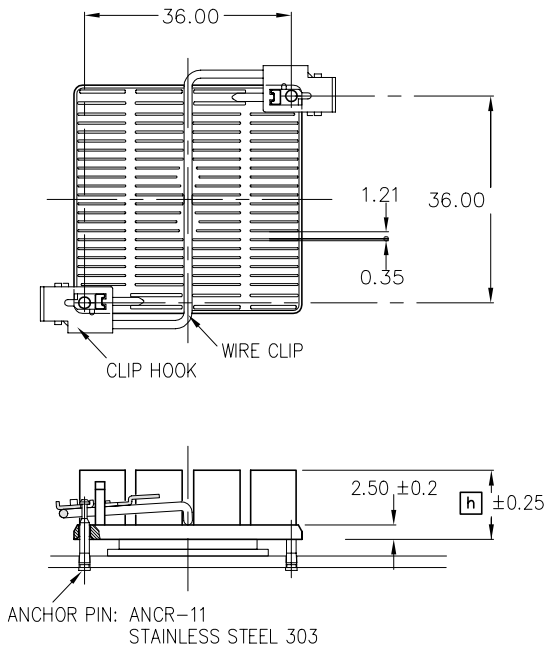
256-1 UEDA, NUMAZU-CITY SHIZUOKA-PREF., JAPAN
 PHONE +81(55)966 0789
 FAX +81(55)966 9192
 E mail : alpha@micforg.co.jp
 URL : <http://www.micforg.co.jp>

Alpha Novatech, Inc. - a subsidiary of Alpha Company.

473 Sapena Ct. #12 Santa Clara, CA 95054 USA
 PHONE +1(408)567-8082
 FAX +1(408)567-8053
 E mail : sales@alphanovatech.com
 URL : <http://www.alphanovatech.com>



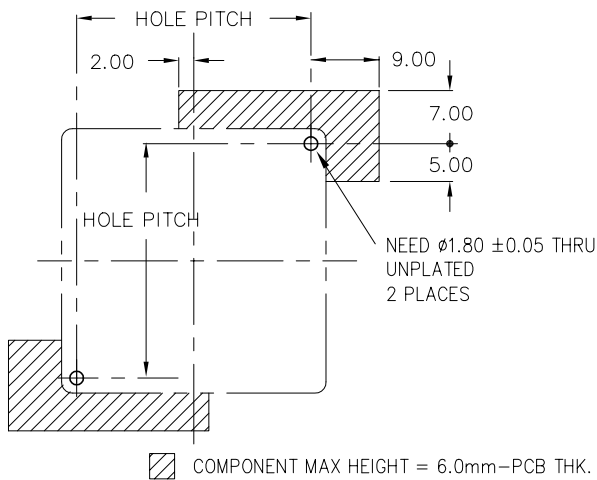
DIM



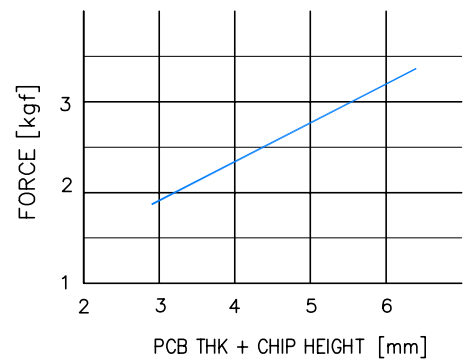
* MATERIAL: HEATSINK A6063 BLACK ANODIZE, WIRE CLIP SW-C NICKEL PRECOATED CLIP, HOOK STAINLESS STEEL 304
DIMENSIONS : mm

BASIC HEATSINK MODEL NUMBER	OVERALL HEIGHT [h]	BASIC HEATSINK WEIGHT (grams)	FEATURES
QZR40-10B	10	17.1	FOR FORCED CONVECTION HIGH PERFORMANCE HEATSINK.
QZR40-12B	12	18.9	

● PCB HOLE PATTERN & SUGGESTED KEEP-OUT AREA



● CLIP FORCE



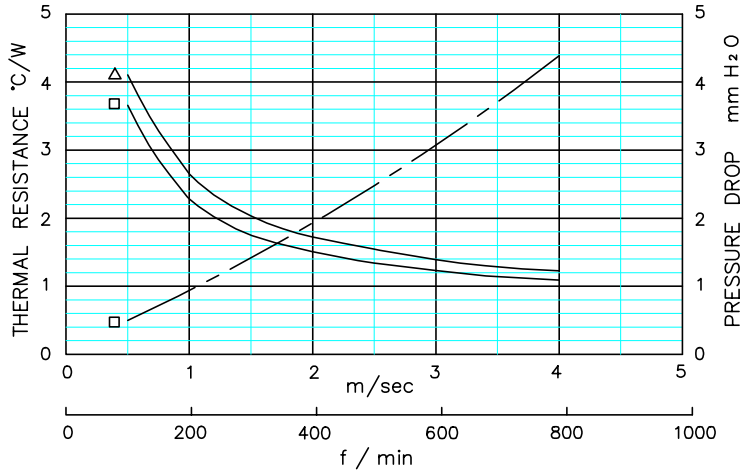
Alpha Company Ltd.

256-1 UEDA, NUMAZU-CITY SHIZUOKA-PREF., JAPAN
 PHONE +81(55)966 0789
 FAX +81(55)966 9192
 E mail : alpha@micforg.co.jp
 URL : http://www.micforg.co.jp

Alpha Novatech, Inc. - a subsidiary of Alpha Company.

473 Sapena Ct. #12 Santa Clara, CA 95054 USA
 PHONE +1(408)567-8082
 FAX +1(408)567-8053
 E mail : sales@alphanovatech.com
 URL : http://www.alphanovatech.com

DATA



- △ QZR40-10B
- QZR40-12B

- DUCTED CONDITION
DUMMY HEATER SIZE: 12.7 SQ
THERMAL RESISTANCE _____
PRESURE DROP - - - -
- BASED ON ALPHA'S STANDARD TEST PROCEDURE.
REFER TO TECHNICAL INFORMATION.

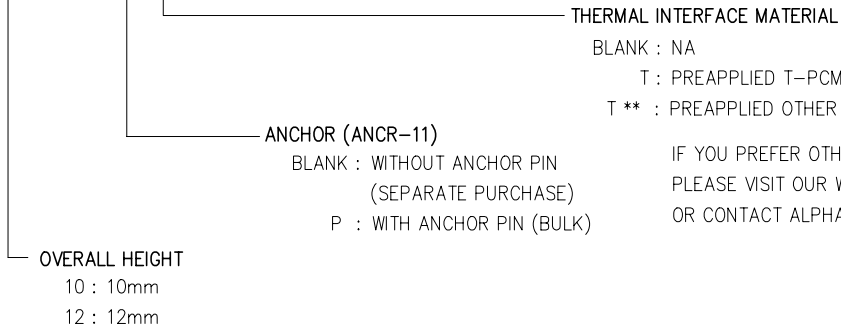
AIR VELOCITY: DUCTED CONDITION

REF



MODEL NAME INFORMATION

QZR40- [h] B - Z [P] [T]



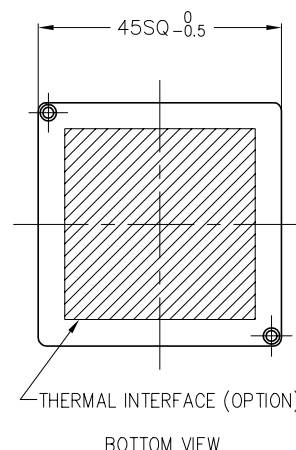
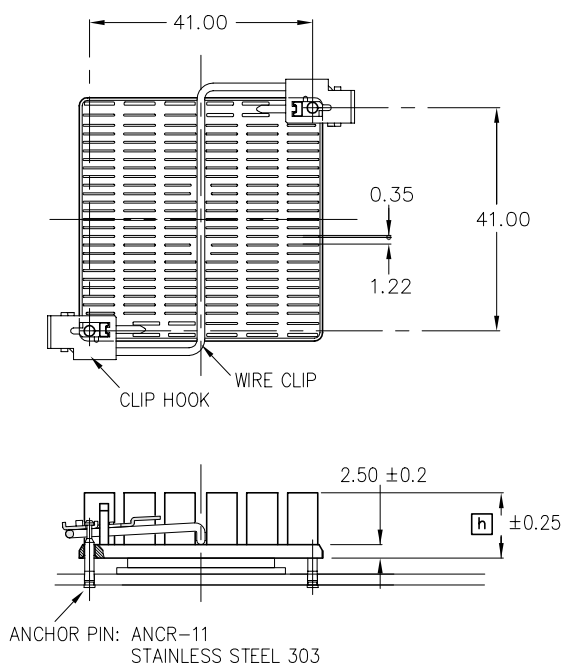
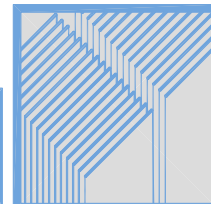
IF YOU PREFER OTHER SIZE AND MATERIAL,
PLEASE VISIT OUR WEBSITE www.micforg.co.jp
OR CONTACT ALPHA SALES.

Alpha Company Ltd.

256-1 UEDA, NUMAZU-CITY SHIZUOKA-PREF., JAPAN
 PHONE +81(55)966 0789
 FAX +81(55)966 9192
 E mail : alpha@micforg.co.jp
 URL : <http://www.micforg.co.jp>

Alpha Novatech, Inc. - a subsidiary of Alpha Company.

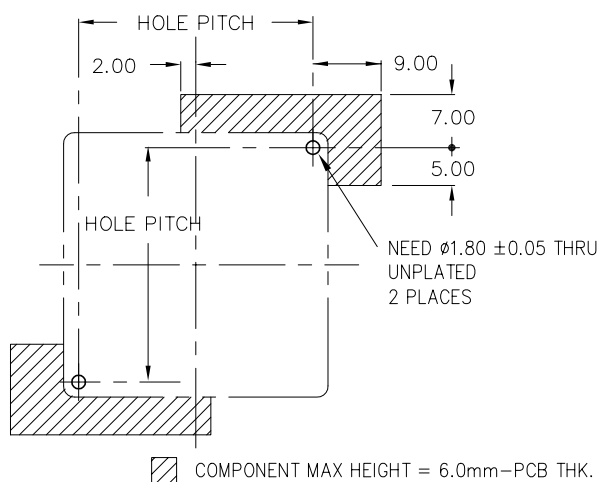
473 Sapena Ct. #12 Santa Clara, CA 95054 USA
 PHONE +1(408)567-8082
 FAX +1(408)567-8053
 E mail : sales@alphanovatech.com
 URL : <http://www.alphanovatech.com>



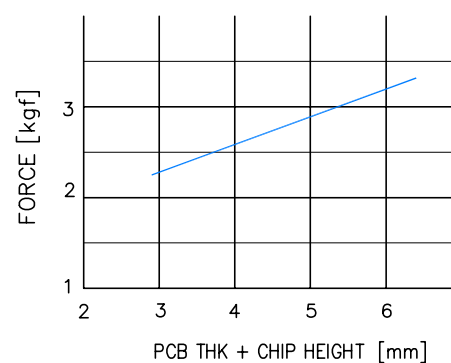
* MATERIAL: HEATSINK A6063 BLACK ANODIZE, WIRE CLIP SW-C NICKEL PRECOATED CLIP, HOOK STAINLESS STEEL 304
DIMENSIONS : mm

BASIC HEATSINK MODEL NUMBER	OVERALL HEIGHT [h]	BASIC HEATSINK WEIGHT (grams)	FEATURES
QZR45-10B	10	21.5	FOR FORCED CONVECTION HIGH PERFORMANCE HEATSINK.
QZR45-12B	12	23.5	

● PCB HOLE PATTERN & SUGGESTED KEEP-OUT AREA



● CLIP FORCE



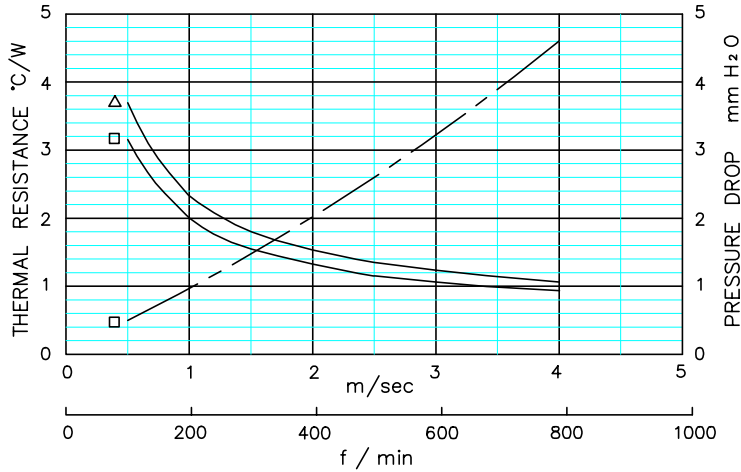
Alpha Company Ltd.

256-1 UEDA, NUMAZU-CITY SHIZUOKA-PREF., JAPAN
 PHONE +81(55)966 0789
 FAX +81(55)966 9192
 E mail : alpha@micforg.co.jp
 URL : http://www.micforg.co.jp

Alpha Novatech, Inc. - a subsidiary of Alpha Company.

473 Sapena Ct. #12 Santa Clara, CA 95054 USA
 PHONE +1(408)567-8082
 FAX +1(408)567-8053
 E mail : sales@alphanovatech.com
 URL : http://www.alphanovatech.com

DATA



- △ QZR45-10B
- QZR45-12B

- DUCTED CONDITION
DUMMY HEATER SIZE: 12.7 SQ
THERMAL RESISTANCE _____
PRESURE DROP - - - -
- BASED ON ALPHA'S STANDARD TEST PROCEDURE.
REFER TO TECHNICAL INFORMATION.

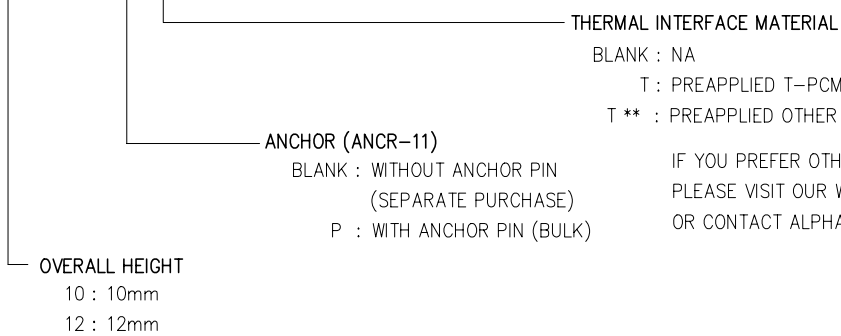
AIR VELOCITY: DUCTED CONDITION

REF



MODEL NAME INFORMATION

QZR45- [h] B - Z [P] [T]



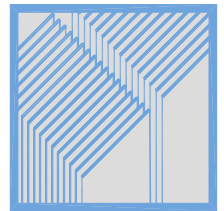
IF YOU PREFER OTHER SIZE AND MATERIAL,
PLEASE VISIT OUR WEBSITE www.micforg.co.jp
OR CONTACT ALPHA SALES.

Alpha Company Ltd.

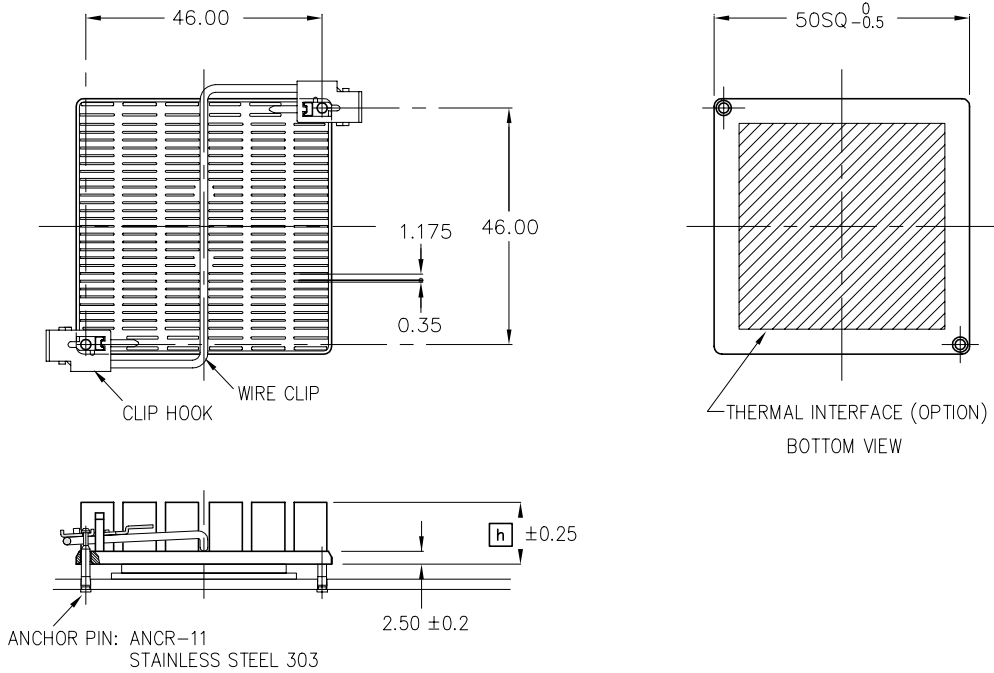
256-1 UEDA, NUMAZU-CITY SHIZUOKA-PREF., JAPAN
PHONE +81(55)966 0789
FAX +81(55)966 9192
E mail : alpha@micforg.co.jp
URL : <http://www.micforg.co.jp>

Alpha Novatech, Inc. - a subsidiary of Alpha Company.

473 Sapena Ct. #12 Santa Clara, CA 95054 USA
PHONE +1(408)567-8082
FAX +1(408)567-8053
E mail : sales@alphanovatech.com
URL : <http://www.alphanovatech.com>



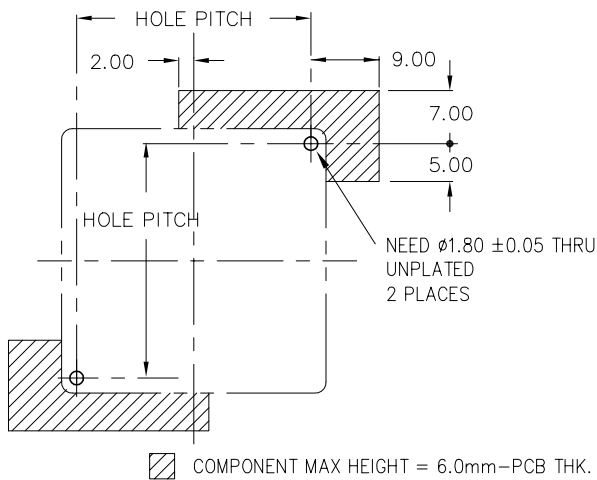
DIM



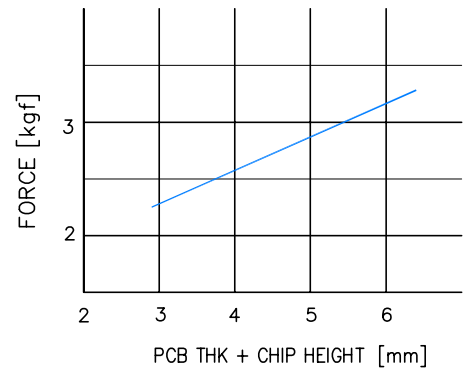
* MATERIAL: HEATSINK A6063 BLACK ANODIZE, WIRE CLIP SW-C NICKEL PRECOATED CLIP, HOOK STAINLESS STEEL 304
DIMENSIONS : mm

BASIC HEATSINK MODEL NUMBER	OVERALL HEIGHT [h]	BASIC HEATSINK WEIGHT (grams)	FEATURES
QZR50-10B	10	27.4	FOR FORCED CONVECTION HIGH PERFORMANCE HEATSINK.
QZR50-12B	12	30.4	

● PCB HOLE PATTERN & SUGGESTED KEEP-OUT AREA



● CLIP FORCE



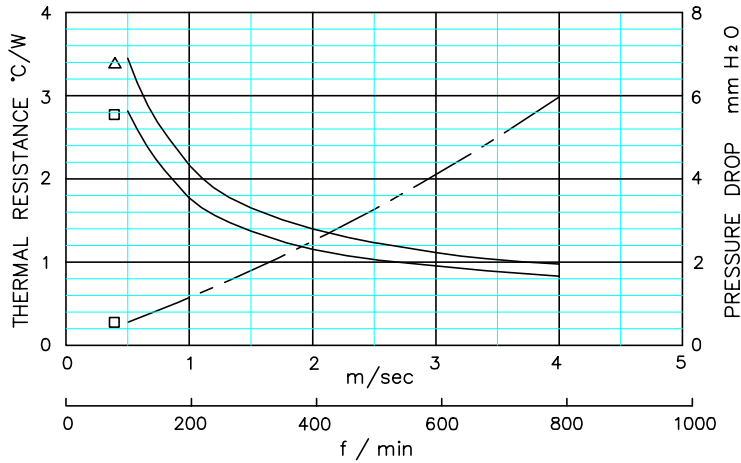
Alpha Company Ltd.

256-1 UEDA, NUMAZU-CITY SHIZUOKA-PREF., JAPAN
 PHONE +81(55)966 0789
 FAX +81(55)966 9192
 E mail : alpha@micforg.co.jp
 URL : http://www.micforg.co.jp

Alpha Novatech, Inc. - a subsidiary of Alpha Company.

473 Sapena Ct. #12 Santa Clara, CA 95054 USA
 PHONE +1(408)567-8082
 FAX +1(408)567-8053
 E mail : sales@alphanovatech.com
 URL : http://www.alphanovatech.com

DATA



△ QZR50-10B
□ QZR50-12B

- DUCTED CONDITION
DUMMY HEATER SIZE: 12.7 SQ
THERMAL RESISTANCE _____
PRESURE DROP - - - - -
- BASED ON ALPHA'S STANDARD TEST PROCEDURE.
REFER TO TECHNICAL INFORMATION.

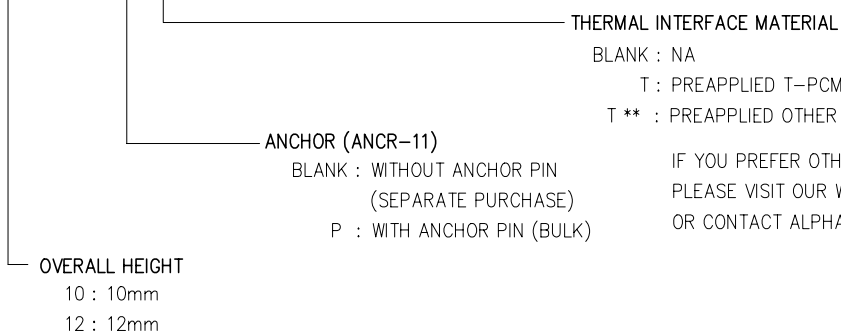
AIR VELOCITY: DUCTED CONDITION

REF



MODEL NAME INFORMATION

QZR50- [h] B - Z [P] [T]



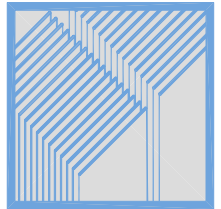
IF YOU PREFER OTHER SIZE AND MATERIAL,
PLEASE VISIT OUR WEBSITE www.micforg.co.jp
OR CONTACT ALPHA SALES.

Alpha Company Ltd.

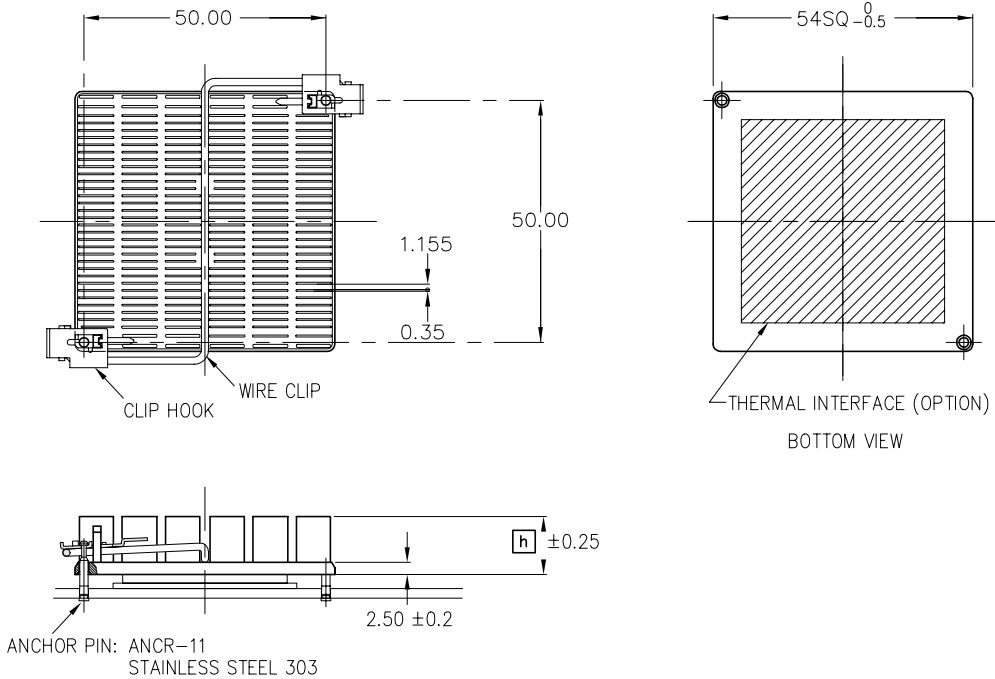
256-1 UEDA, NUMAZU-CITY SHIZUOKA-PREF., JAPAN
PHONE +81(55)966 0789
FAX +81(55)966 9192
E mail : alpha@micforg.co.jp
URL : <http://www.micforg.co.jp>

Alpha Novatech, Inc. - a subsidiary of Alpha Company.

473 Sapena Ct. #12 Santa Clara, CA 95054 USA
PHONE +1(408)567-8082
FAX +1(408)567-8053
E mail : sales@alphanovatech.com
URL : <http://www.alphanovatech.com>



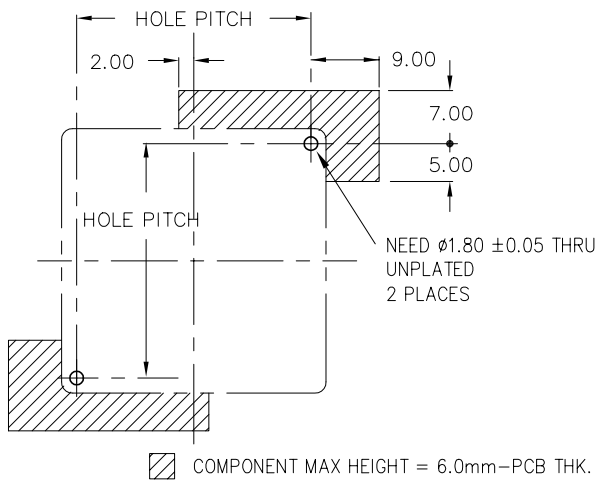
DIM



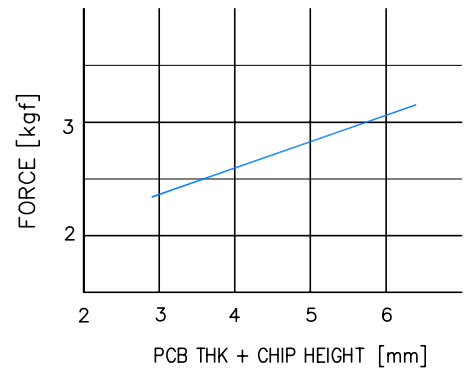
* MATERIAL: HEATSINK A6063 BLACK ANODIZE, WIRE CLIP SW-C NICKEL PRECOATED CLIP, HOOK STAINLESS STEEL 304
DIMENSIONS : mm

BASIC HEATSINK MODEL NUMBER	OVERALL HEIGHT [h]	BASIC HEATSINK WEIGHT (grams)	FEATURES
QZR54-10B	10	32.5	FOR FORCED CONVECTION HIGH PERFORMANCE HEATSINK.
QZR54-12B	12	36.1	

● PCB HOLE PATTERN & SUGGESTED KEEP-OUT AREA



● CLIP FORCE



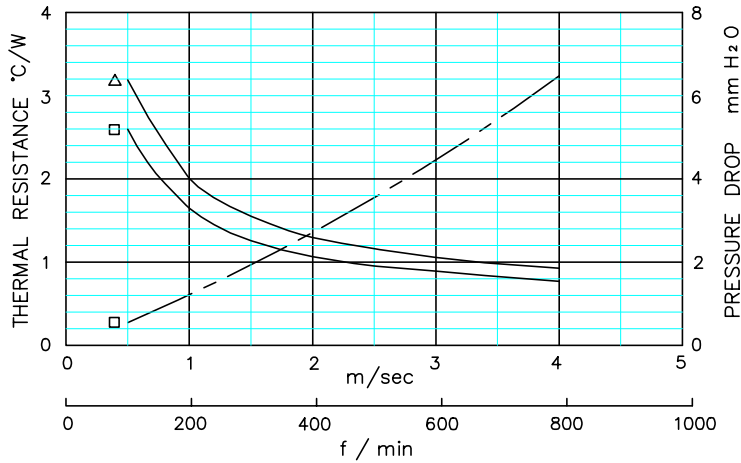
Alpha Company Ltd.

256-1 UEDA, NUMAZU-CITY SHIZUOKA-PREF., JAPAN
 PHONE +81(55)966 0789
 FAX +81(55)966 9192
 E mail : alpha@micforg.co.jp
 URL : http://www.micforg.co.jp

Alpha Novatech, Inc. - a subsidiary of Alpha Company.

473 Sapena Ct. #12 Santa Clara, CA 95054 USA
 PHONE +1(408)567-8082
 FAX +1(408)567-8053
 E mail : sales@alphanovatech.com
 URL : http://www.alphanovatech.com

DATA



△ QZR54-10B
□ QZR54-12B

- DUCTED CONDITION
DUMMY HEATER SIZE: 12.7 SQ
THERMAL RESISTANCE _____
PRESURE DROP - - - - -
- BASED ON ALPHA'S STANDARD TEST PROCEDURE.
REFER TO TECHNICAL INFORMATION.

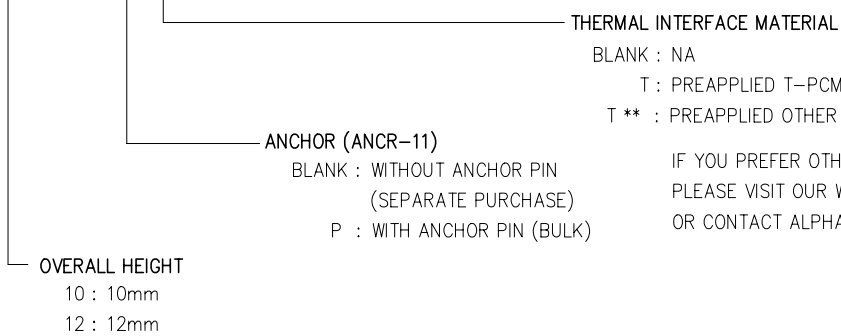
AIR VELOCITY: DUCTED CONDITION

REF



MODEL NAME INFORMATION

QZR54-- [h] B - Z [P] [T]



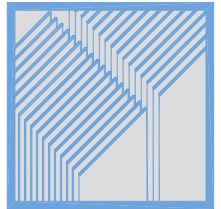
IF YOU PREFER OTHER SIZE AND MATERIAL,
PLEASE VISIT OUR WEBSITE www.micforg.co.jp
OR CONTACT ALPHA SALES.

Alpha Company Ltd.

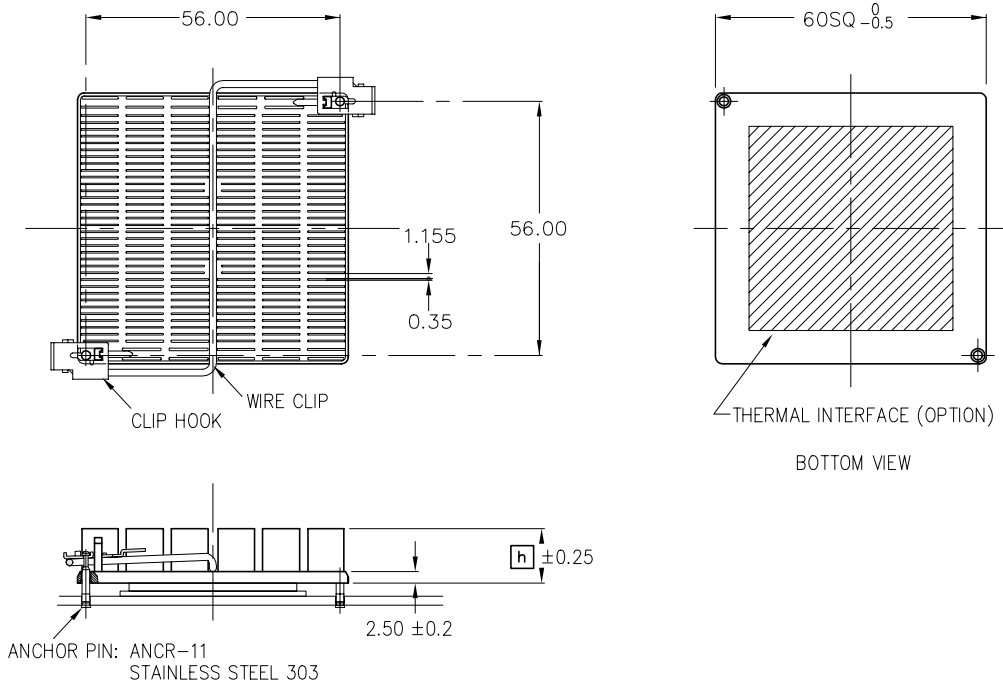
256-1 UEDA, NUMAZU-CITY SHIZUOKA-PREF., JAPAN
PHONE +81(55)966 0789
FAX +81(55)966 9192
E mail : alpha@micforg.co.jp
URL : <http://www.micforg.co.jp>

Alpha Novatech, Inc. - a subsidiary of Alpha Company.

473 Sapena Ct. #12 Santa Clara, CA 95054 USA
PHONE +1(408)567-8082
FAX +1(408)567-8053
E mail : sales@alphanovatech.com
URL : <http://www.alphanovatech.com>



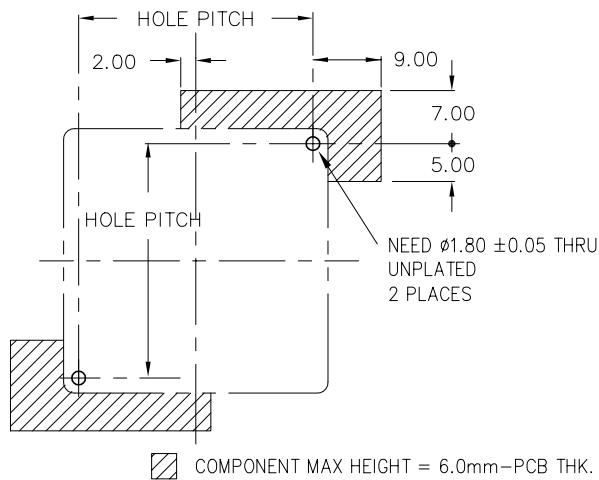
DIM



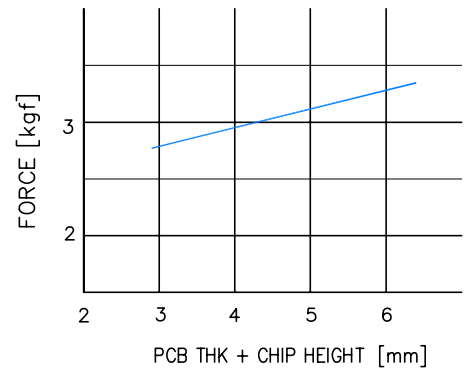
* MATERIAL: HEATSINK A6063 BLACK ANODIZE, WIRE CLIP SW-C NICKEL PRECOATED CLIP, HOOK STAINLESS STEEL 304
DIMENSIONS : mm

BASIC HEATSINK MODEL NUMBER	OVERALL HEIGHT [h]	BASIC HEATSINK WEIGHT (grams)	FEATURES
QZR60-10B	10	39.7	FOR FORCED CONVECTION HIGH PERFORMANCE HEATSINK.
QZR60-12B	12	44.1	

● PCB HOLE PATTERN & SUGGESTED KEEP-OUT AREA



● CLIP FORCE



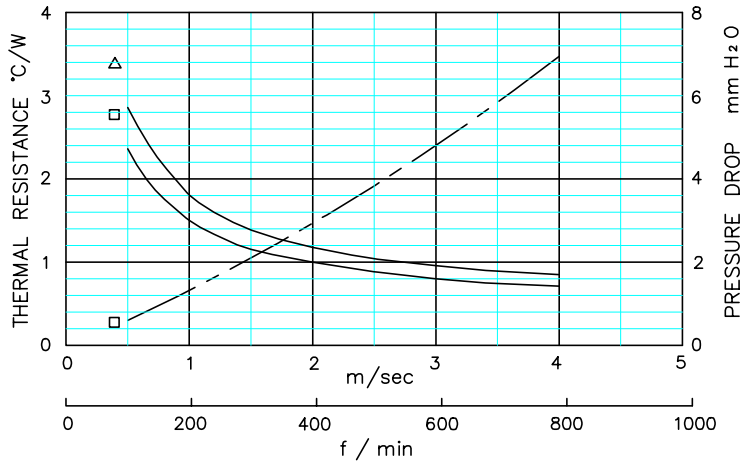
Alpha Company Ltd.

256-1 UEDA, NUMAZU-CITY SHIZUOKA-PREF., JAPAN
 PHONE +81(55)966 0789
 FAX +81(55)966 9192
 E mail : alpha@micforg.co.jp
 URL : http://www.micforg.co.jp

Alpha Novatech, Inc. - a subsidiary of Alpha Company.

473 Sapena Ct. #12 Santa Clara, CA 95054 USA
 PHONE +1(408)567-8082
 FAX +1(408)567-8053
 E mail : sales@alphanovatech.com
 URL : http://www.alphanovatech.com

DATA



△ QZR60-10B
□ QZR60-12B

- DUCTED CONDITION
DUMMY HEATER SIZE: 12.7 SQ
THERMAL RESISTANCE _____
PRESURE DROP - - - - -
- BASED ON ALPHA'S STANDARD TEST PROCEDURE.
REFER TO TECHNICAL INFORMATION.

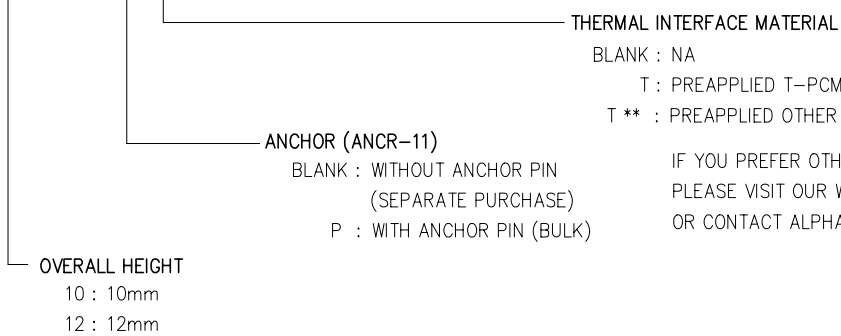
AIR VELOCITY: DUCTED CONDITION

REF



MODEL NAME INFORMATION

QZR60- [h] B - Z [P] [T]



IF YOU PREFER OTHER SIZE AND MATERIAL,
PLEASE VISIT OUR WEBSITE www.micforg.co.jp
OR CONTACT ALPHA SALES.

Alpha Company Ltd.

256-1 UEDA, NUMAZU-CITY SHIZUOKA-PREF., JAPAN
 PHONE +81(55)966 0789
 FAX +81(55)966 9192
 E mail : alpha@micforg.co.jp
 URL : <http://www.micforg.co.jp>

Alpha Novatech, Inc. - a subsidiary of Alpha Company.

473 Sapena Ct. #12 Santa Clara, CA 95054 USA
 PHONE +1(408)567-8082
 FAX +1(408)567-8053
 E mail : sales@alphanovatech.com
 URL : <http://www.alphanovatech.com>