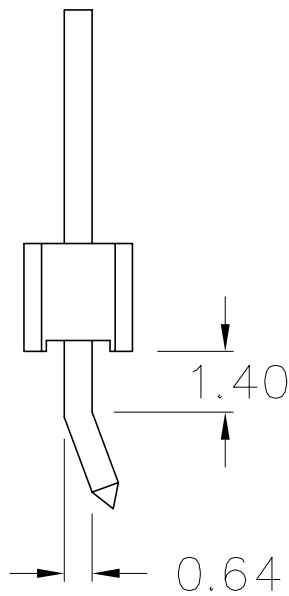
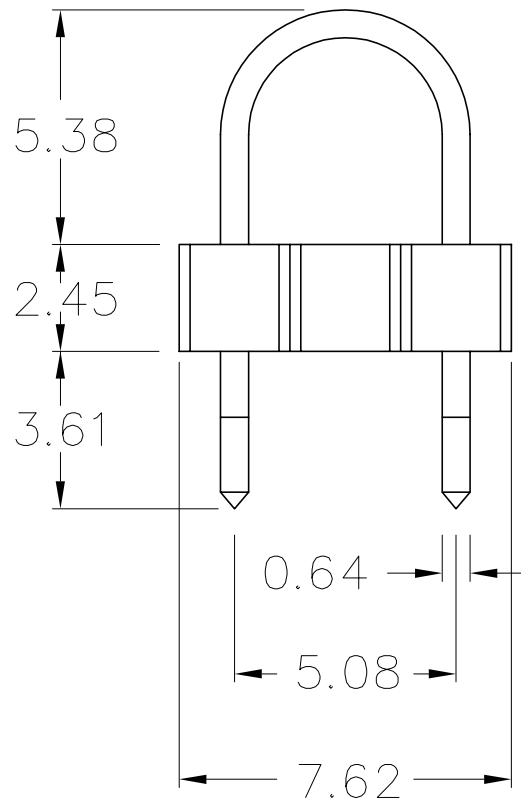
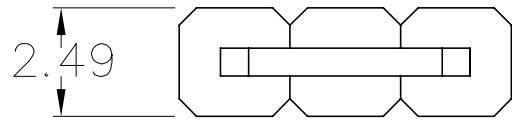


MODEL : ANC-D057



PCB THICKNESS: 1.60
REQUIRES $\phi 0.97$ PLATED THRU HOLE.
DIMENSIONS: mm