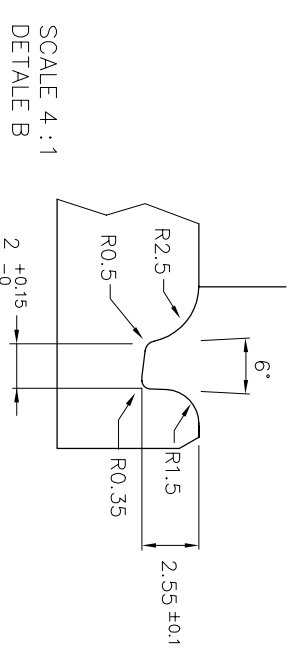
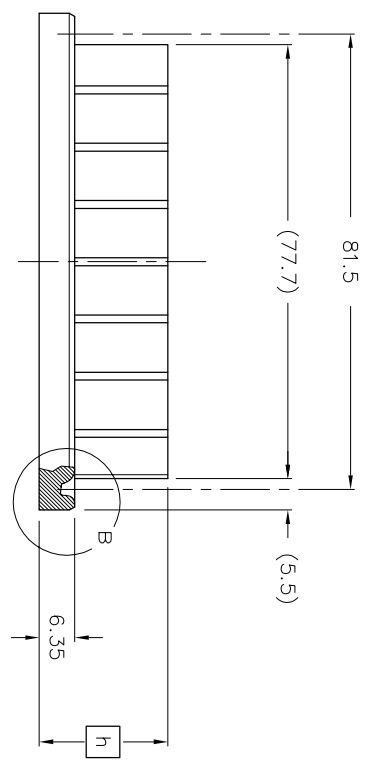
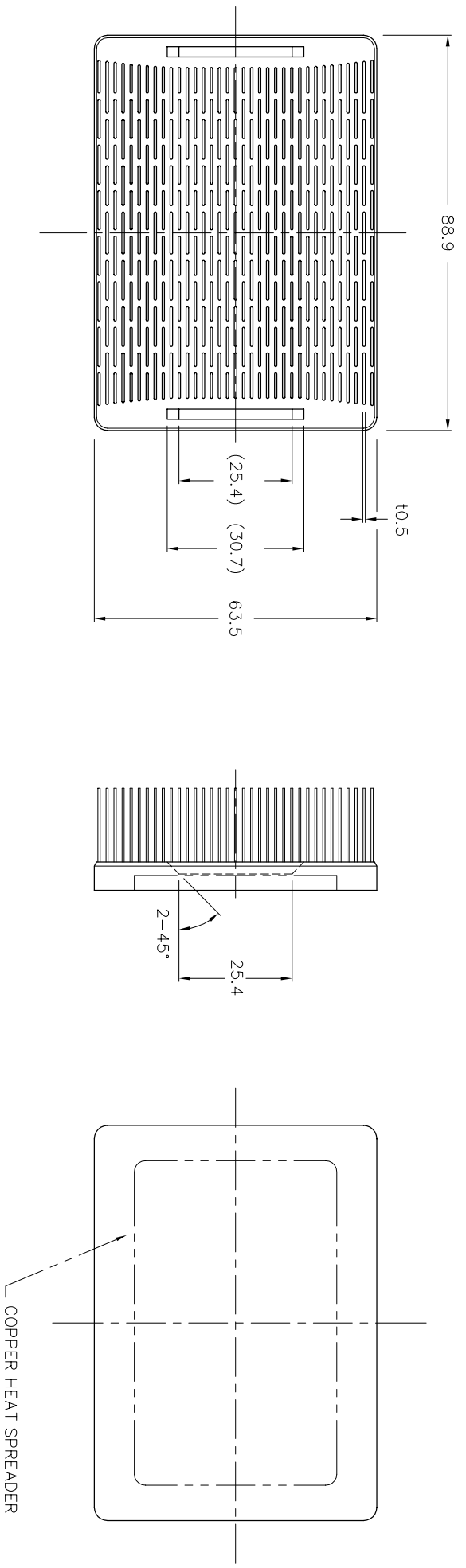


REVISIONS			
REV	DATE	DESCRIPTION	CHG
		REASSIGN PART# (S001Z50M--REV.B -> S001ZE0H) 2002.11 Y.SUZUKI	
		REASSIGN PART# (S001ZE0H -> S001Z509) 2003.01.23 Y.SUZUKI	
		CHANGED SLOTS(RADIUS) S001Z509-A JUNE 21, 2002 Y.SUZUKI	
		PRDCT RELEASE S001Z50G (SHORTER VERSION) APR 19, 2003 Y.SUZUKI	
		S001Z509 /0G SINGLE PART DWG -> THIS MULTI PART DWG	
		PRDCT RELEASE S001Z50U (NON ANODIZED VERSION) MAY 12, 2003 Y.SUZUKI	
		CHANGED RECESS.	
		CHANGED BASE CORNER R (WAS R1.5). AUG 4, 2004 M.TAGATA	



- NOTES : UNLESS OTHERWISE SPECIFIED
1. INTERPRET DIMENSIONS AND TOLERANCES PER ANSI Y14.5M-1982
 2. ALL DIMENSIONS ARE IN MILLIMETERS.
 3. MATERIAL : ALUMINUM 6063
COPPER : C1100 OR C1020
 4. TOLERANCES :
DECIMALS : X ±0.3
.XX ±0.15

23	U6489C-23NA	S001 Z5 0J	NON ANODIZE
23	U6489C-23A	S001 Z5 0G (-A)	BLACK ANODIZE EXCEPT BASE SURFACE
25	U6489C-25A	S001 Z5 09 (-B)	BLACK ANODIZE EXCEPT BASE SURFACE
HEIGHT	MODEL NO.	PART NO.	REMARK
h			

ALPHA		GOULD.		CSTM'R'S PART NO.	
MATERIAL NOTE 3		NAME P4 - Xeon Passive Heatsink		U6489C	
SCALE 1 : 1 (4:1)		APPR & CHCK		DWG NO. S 0 0 1 Z 5 0 K	
DATE 2003.05.12		DSGN & DWG Y.SUZUKI		DVSN NO.	
				SPCL SMLR STD MSTD	
				REV A	