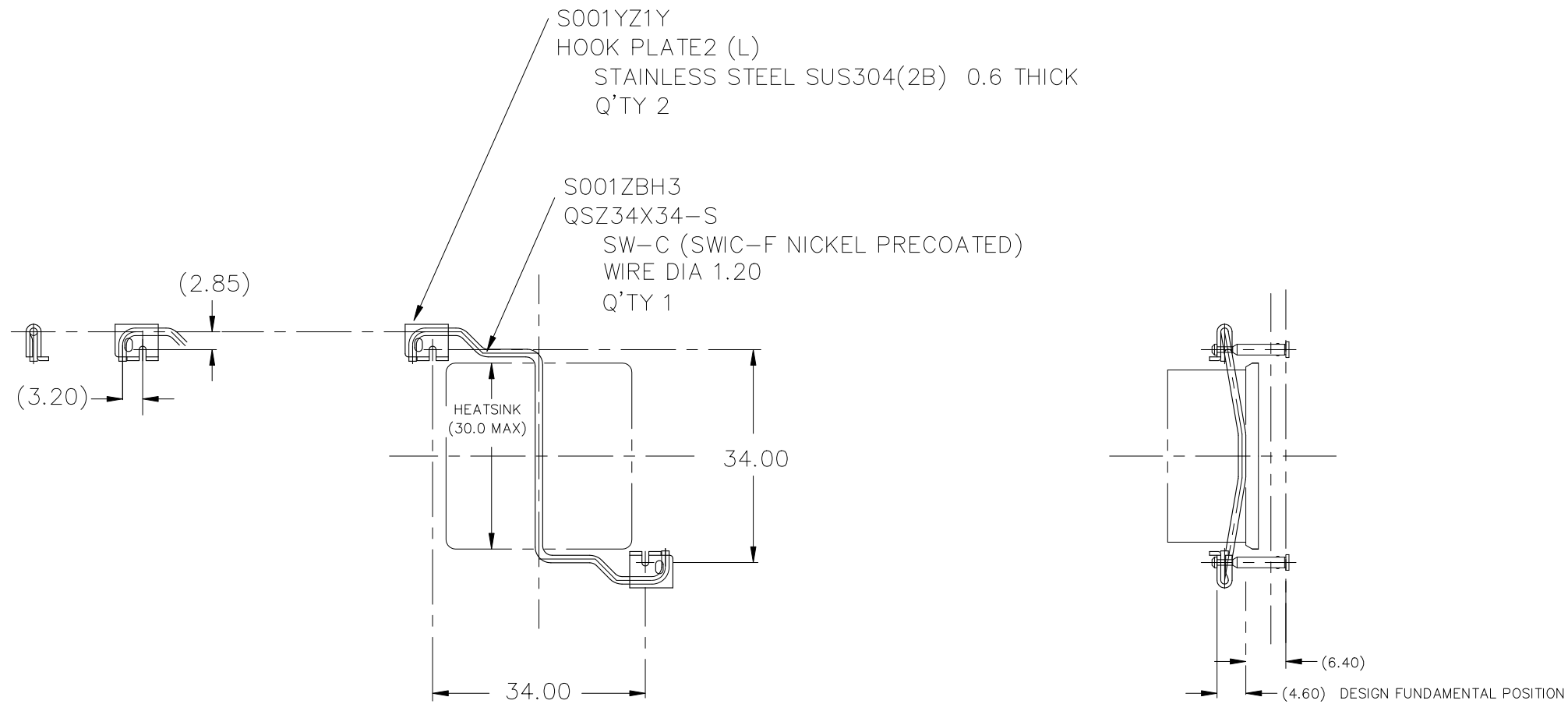


REVISIONS				
REV	DATE	DESCRIPTION	CHG	APPR
PRODUCTION RELEASE				



ANCHOR LAYOUT ON BOARD
REQUIRES Ø1.80 ±0.05 THRU HOLES
FOR ANCHORS IN BOARD.

- NOTES : UNLESS OTHERWISE SPECIFIED
1. INTERPRET DIMENSIONS AND TOLERANCES PER ANSI Y14.5M
 2. ALL DIMENSIONS ARE IN MILLIMETERS.
 3. TOLERANCES :
 .XX ±0.254
 .XXX ±0.127
 ANGLES ± 3°

ITEM	PART NO.	PART NAME	REMARK	Q'TY
ALPHA CO.,LTD.			CSTM'R'S PART NO.	
		MATERIAL	NAME	QSZ34X34
SCALE		APPR & CHCK	PART NO. & DWG NO.	REV
1 : 1		Y.SUZUKI	S001ZBH2	
DATE		DSGN & DWG	RDCTN:	LOFF:
APR 10 2018		Y.SUZUKI		