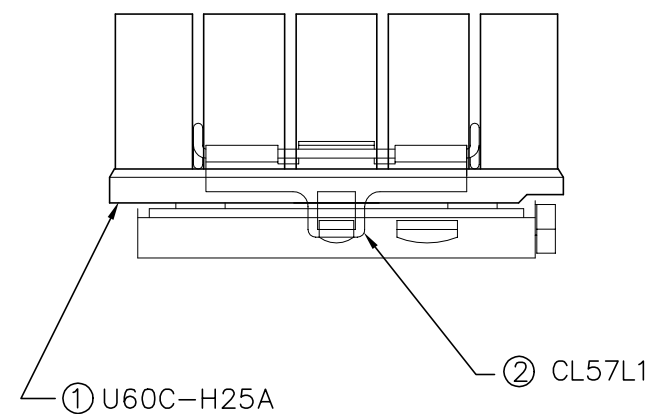
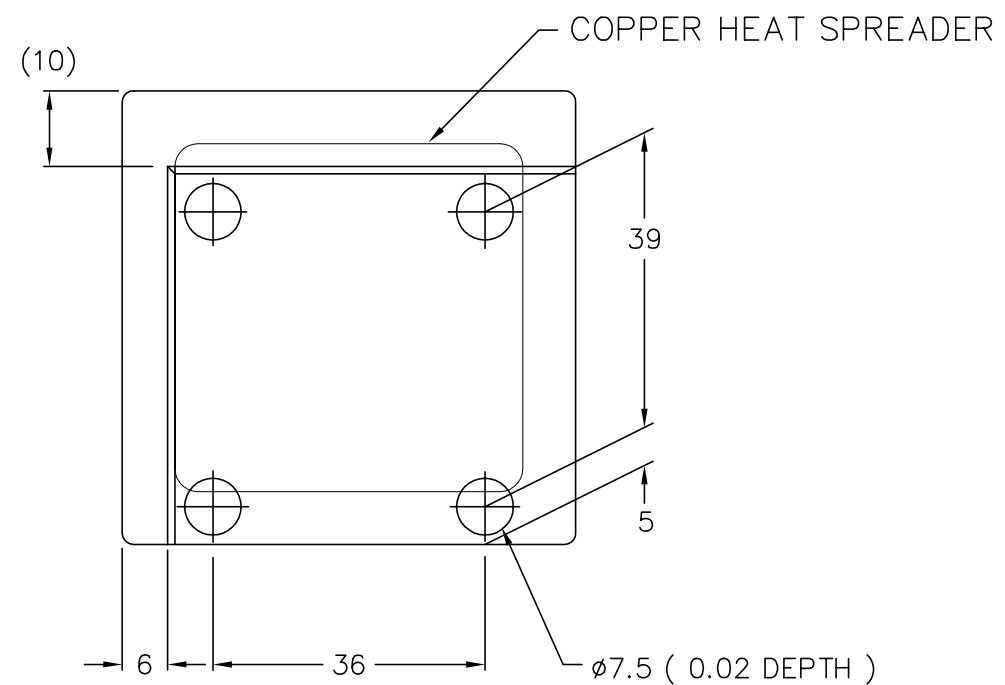
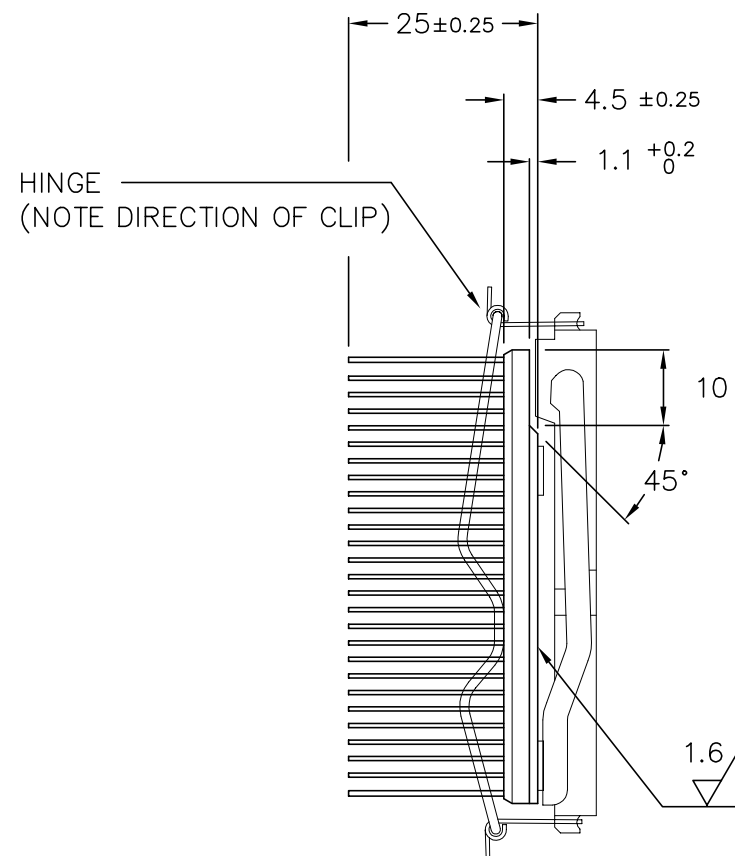
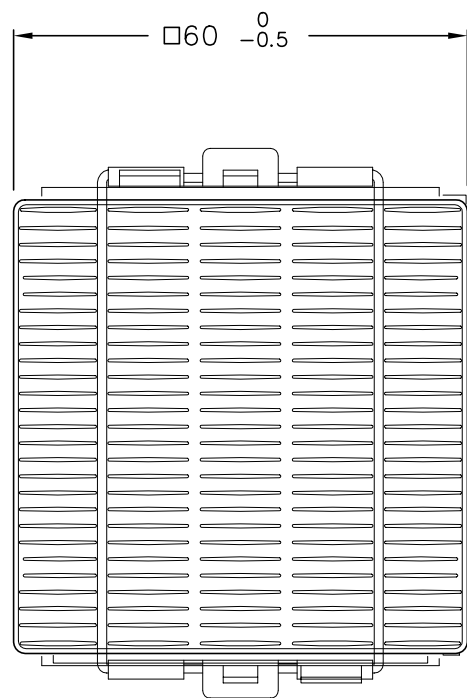


REVISIONS			
REV	DATE	DESCRIPTION	CHG
A	APR 05. 2001	PRDCT RELEASE	Y.S
B	AUG 03. 2001	CHG CLIP (WAS CL57L)	Y.S



① U60C-H25A
 MATERIAL : A6063 (COPPER EMBEDDED)
 FINISH : BLACK ANODIZED (EXCEPT BOTTOM SURFACE)

② CL57L1

②	CL57L1	CLIP	S001ZW2Y	1
①	U60C-H25A	HEAT SINK	S001ZE05	1
ITEM	MODEL NO.	REMARK	PART NO.	Q'TY

ALPHA CO.,LTD.		MODEL NO. U 6 0 C - H 2 5 C	
	MATERIAL	PART NO. S 0 0 1 Z E 0 4	REV B
METRIC	SCALE 1 : 1	SURFACE FINISH	DATE JAN 30. '01
		DSGN & DWG H.KATAOKA	