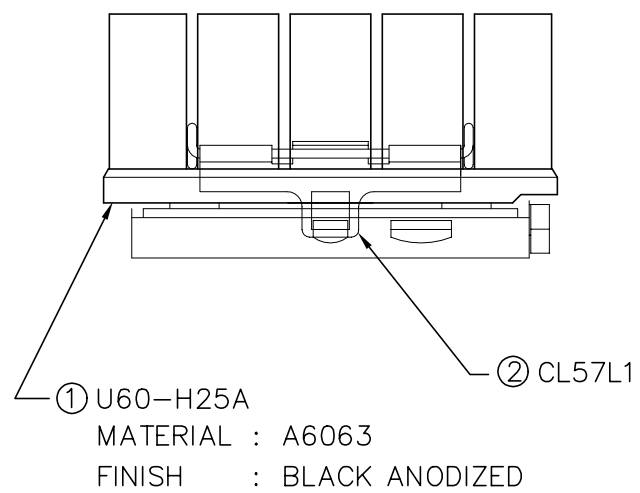
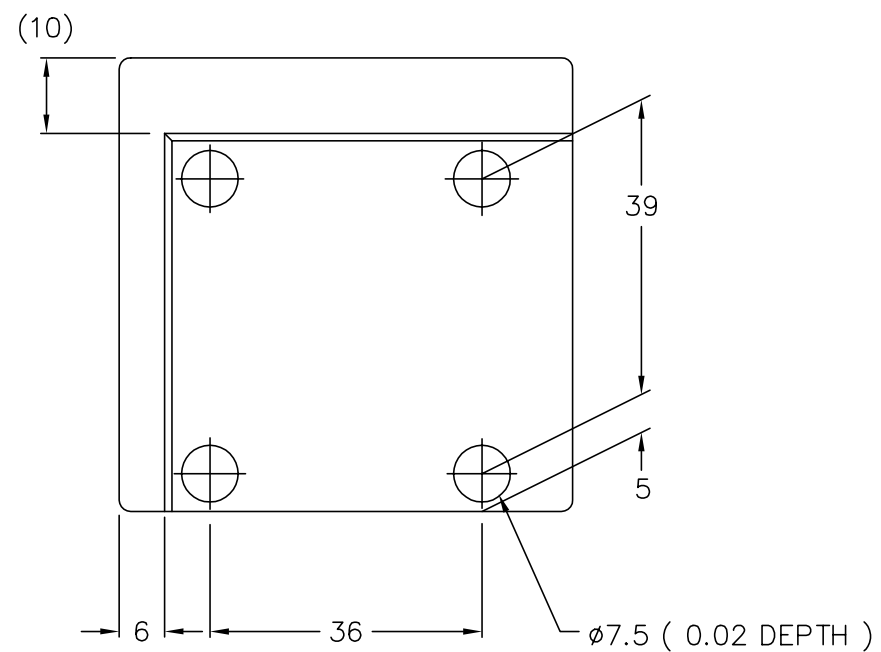
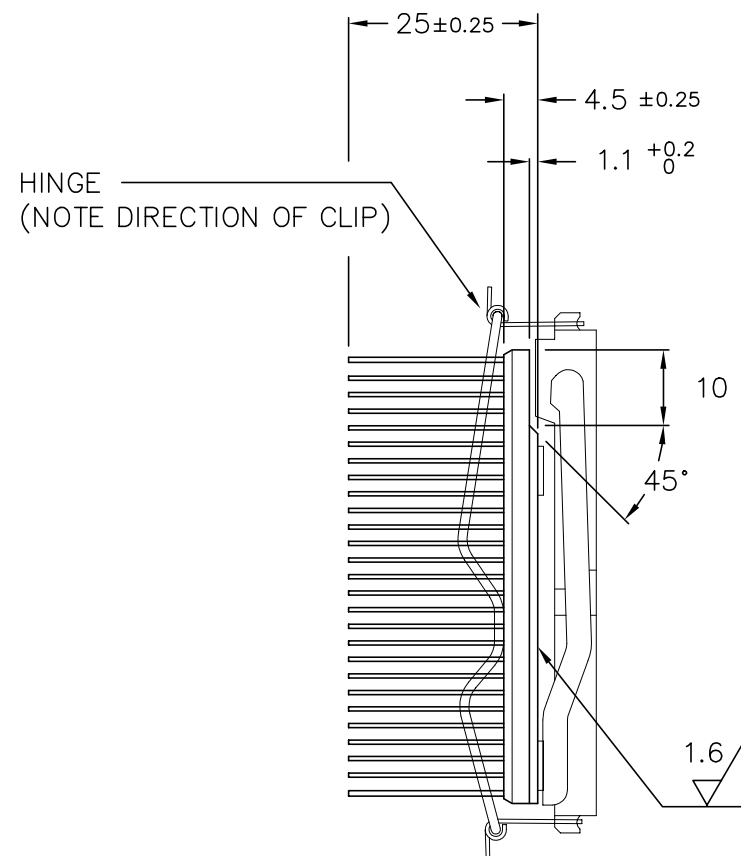
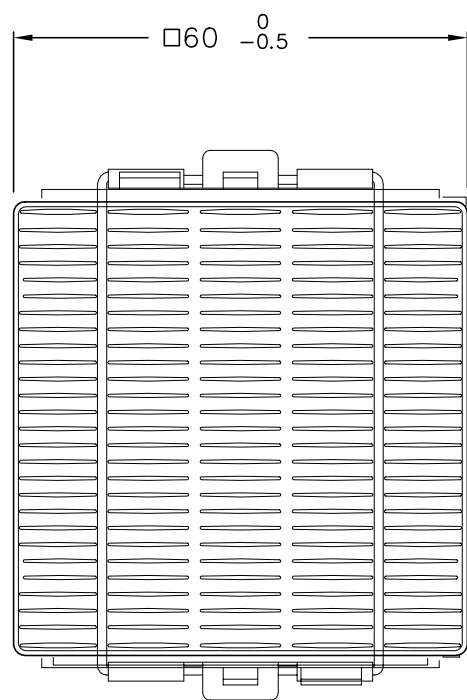


REVISIONS			
REV	DATE	DESCRIPTION	CHG
A	APR 05. 2001	PRDCT RELEASE	Y.S
B	AUG 03. 2001	CHG CLIP (WAS CL57L)	Y.S



②	CL57L1	CLIP	S001ZW2Y	1
①	U60-H25A	HEAT SINK	S001ZE0C	1
ITEM	MODEL NO.	REMARK	PART NO.	Q'TY

ALPHA CO.,LTD.		MODEL NO. U 6 0 - H 2 5 C		
MATERIAL		PART NO. S 0 0 1 Z E 0 B		REV B
METRIC	SCALE 1 : 1	SURFACE FINISH	DATE APR 05. '01	DSGN & DWG Y.SUZUKI