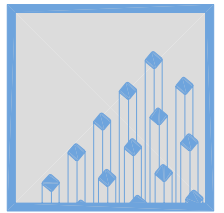


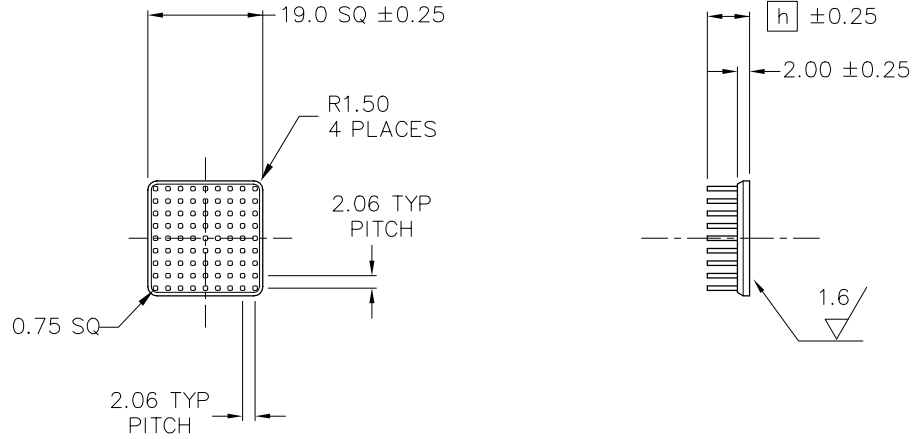
ST Series

Omnidirectional Heat Sink

ALPHA



DIM

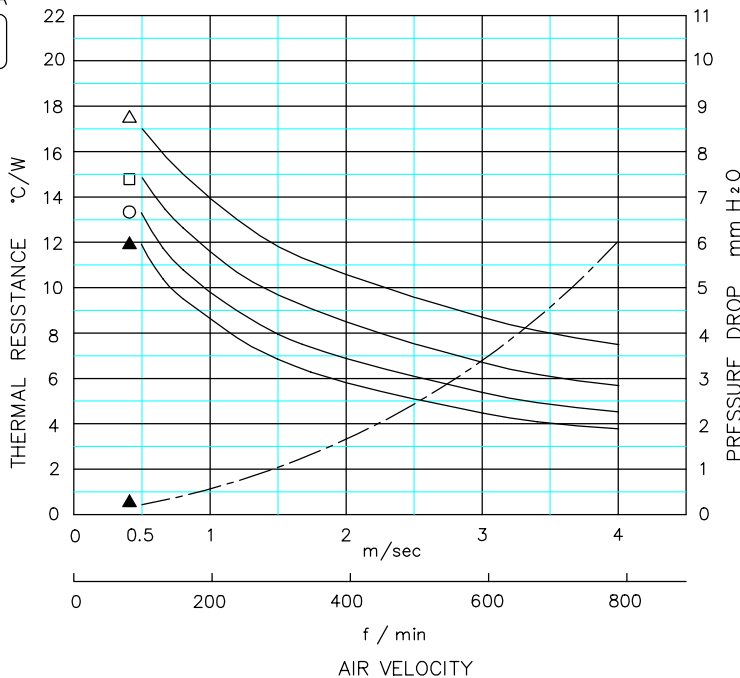


HEAT SINK
 MATERIAL : A 6063
 FINISH : BLACK ANODIZE

MODEL	HEIGHT h	WEIGHT (grams)
ST19-4B	4	2.2
ST19-5B	5	2.3
ST19-6B	6	2.4
ST19-7B	7	2.5

Dimensions : mm

DATA



● Thermal Resistance (Ducted)
 (Solid Line ———)
 ● Pressure Drop
 (Center Line - - - -)

△ ST19-4B
 □ ST19-5B
 ○ ST19-6B
 ▲ ST19-7B

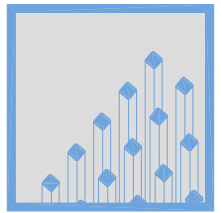
■ Based on Alpha's Standard Test Procedure. (Refer to page marked Technical Information.)
 Dummy Heater Size: 12.7SQ

Alpha Company Ltd.

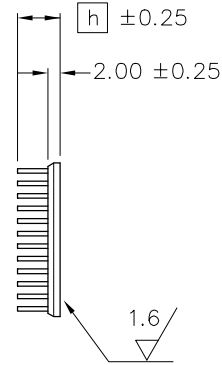
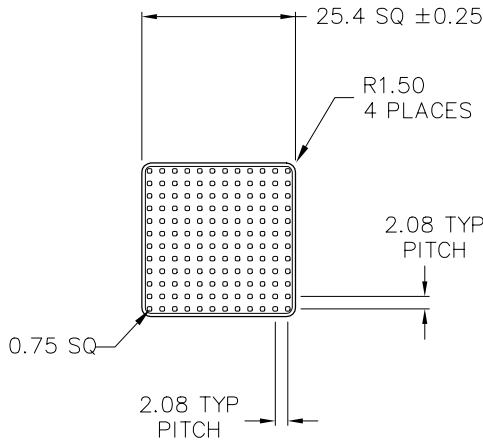
256-1 UEDA, NUMAZU-CITY SHIZUOKA-PREF., JAPAN
 PHONE +81(55)966 0789
 FAX +81(55)966 9192
 E mail : alpha@micforg.co.jp
 URL : <http://www.micforg.co.jp>

Alpha Novatech, Inc. - a subsidiary of Alpha Company.

473 Sapena Ct. #12 Santa Clara, CA 95054 USA
 PHONE +1(408)567-8082
 FAX +1(408)567-8053
 E mail : sales@alphanovatech.com
 URL : <http://www.alphanovatech.com>



DIM

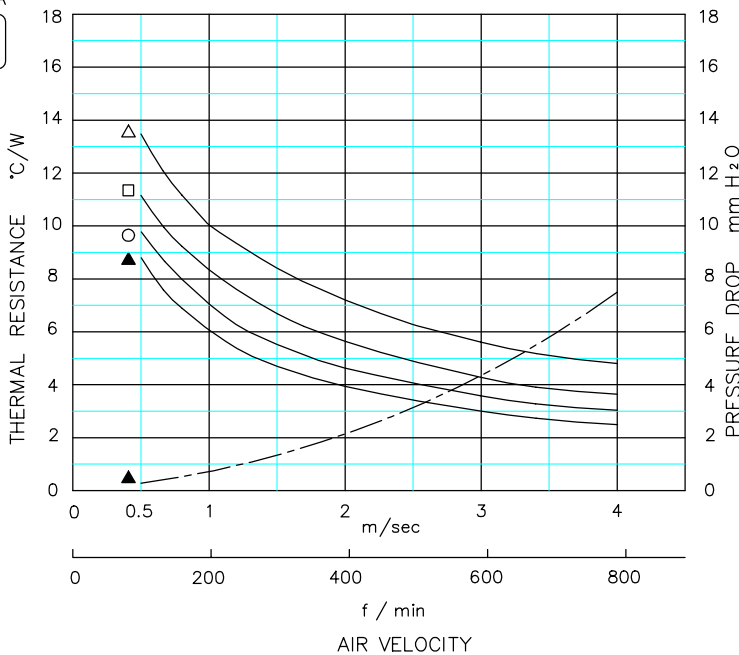


HEAT SINK
 MATERIAL : A 6063
 FINISH : BLACK ANODIZE

MODEL	HEIGHT h	WEIGHT (grams)
ST25-4B	4	4.0
ST25-5B	5	4.2
ST25-6B	6	4.4
ST25-7B	7	4.6

Dimensions : mm

DATA



- Thermal Resistance (Ducted)
(Solid Line —)
- Pressure Drop
(Center Line - - -)

- △ ST25-4B
- ST25-5B
- ST25-6B
- ▲ ST25-7B

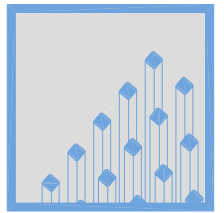
■ Based on Alpha's Standard Test Procedure. (Refer to page marked Technical Information.)
 Dummy Heater Size: 12.7SQ

Alpha Company Ltd.

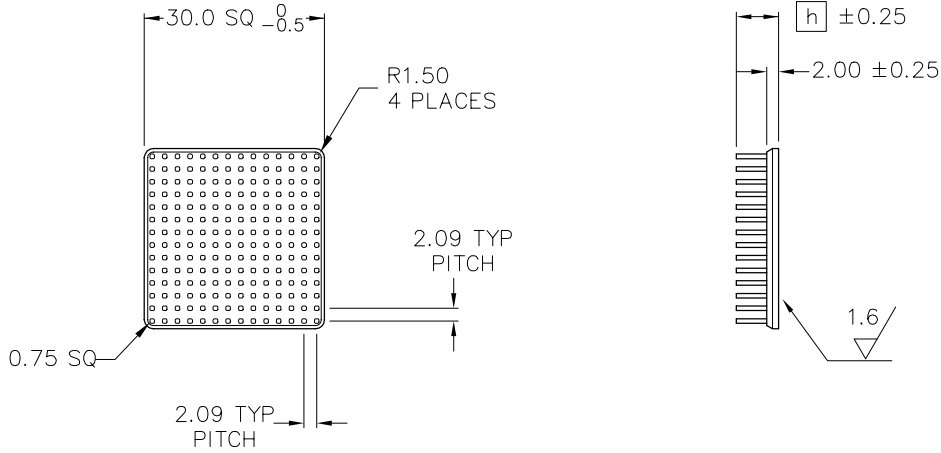
256-1 UEDA, NUMAZU-CITY SHIZUOKA-PREF., JAPAN
 PHONE +81(55)966 0789
 FAX +81(55)966 9192
 E mail : alpha@micforg.co.jp
 URL : <http://www.micforg.co.jp>

Alpha Novatech, Inc. - a subsidiary of Alpha Company.

473 Sapena Ct. #12 Santa Clara, CA 95054 USA
 PHONE +1(408)567-8082
 FAX +1(408)567-8053
 E mail : sales@alphanovatech.com
 URL : <http://www.alphanovatech.com>



DIM

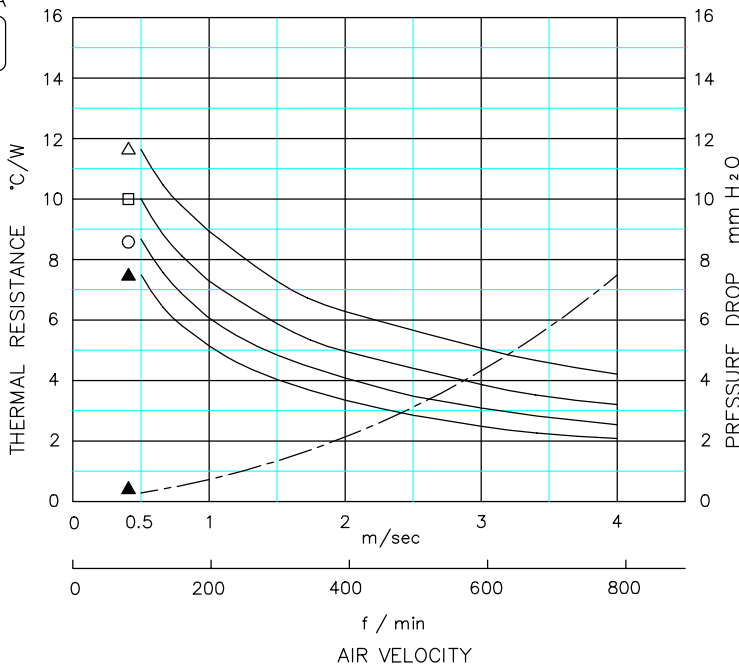


HEAT SINK
 MATERIAL : A 6063
 FINISH : BLACK ANODIZE

MODEL	HEIGHT h	WEIGHT (grams)
ST30-4B	4	5.4
ST30-5B	5	5.7
ST30-6B	6	6.0
ST30-7B	7	6.2

Dimensions : mm

DATA



- Thermal Resistance (Ducted)
(Solid Line —)
- Pressure Drop
(Center Line - - -)

- △ ST30-4B
- ST30-5B
- ST30-6B
- ▲ ST30-7B

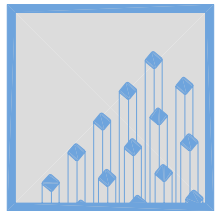
■ Based on Alpha's Standard Test Procedure. (Refer to page marked Technical Information.)
 Dummy Heater Size: 12.7SQ

Alpha Company Ltd.

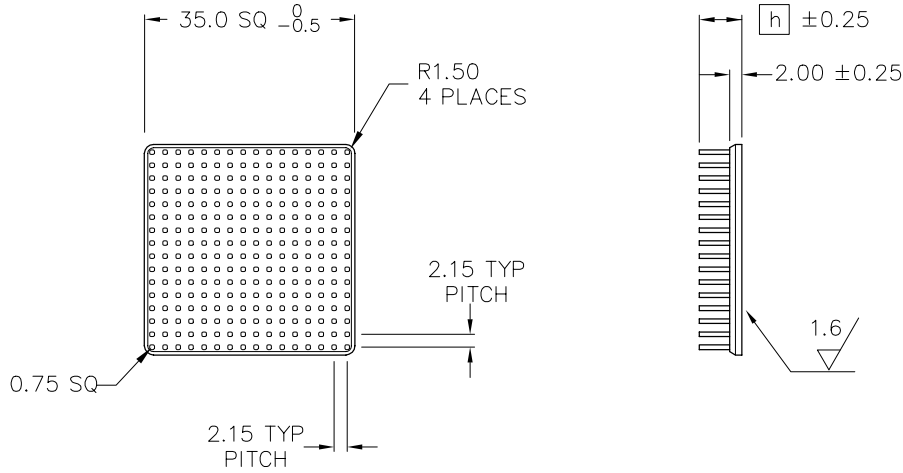
256-1 UEDA, NUMAZU-CITY SHIZUOKA-PREF., JAPAN
 PHONE +81(55)966 0789
 FAX +81(55)966 9192
 E mail : alpha@micforg.co.jp
 URL : <http://www.micforg.co.jp>

Alpha Novatech, Inc. - a subsidiary of Alpha Company.

473 Sapena Ct. #12 Santa Clara, CA 95054 USA
 PHONE +1(408)567-8082
 FAX +1(408)567-8053
 E mail : sales@alphanovatech.com
 URL : <http://www.alphanovatech.com>



DIM

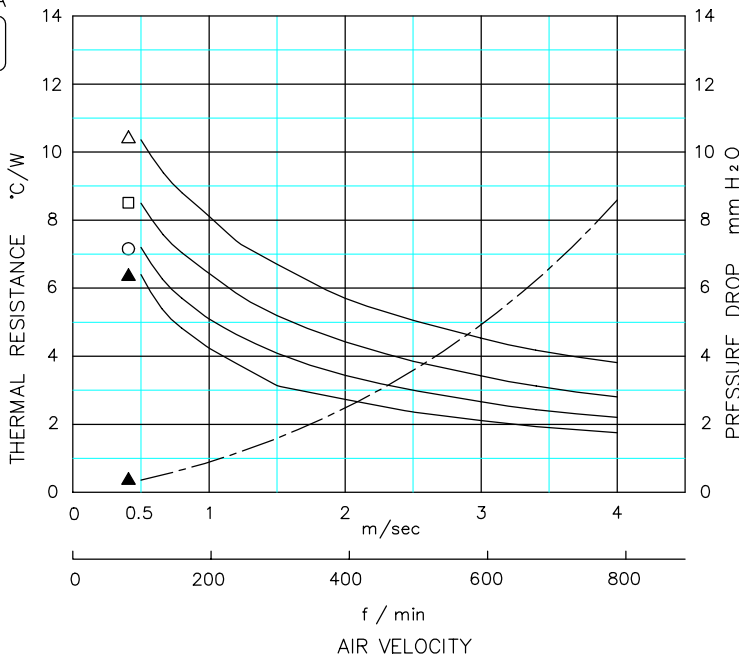


HEAT SINK
 MATERIAL : A 6063
 FINISH : BLACK ANODIZE

MODEL	HEIGHT h	WEIGHT (grams)
ST35-4B	4	7.5
ST35-5B	5	7.8
ST35-6B	6	8.2
ST35-7B	7	8.5

Dimensions : mm

DATA



- Thermal Resistance (Ducted)
(Solid Line ———)
- Pressure Drop
(Center Line - - - -)

- △ ST35-4B
- ST35-5B
- ST35-6B
- ▲ ST35-7B

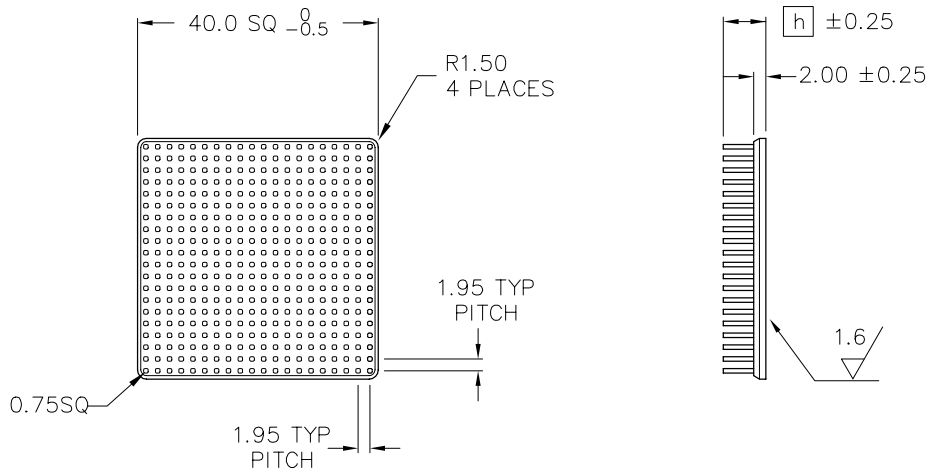
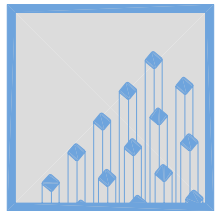
■ Based on Alpha's Standard Test Procedure. (Refer to page marked Technical Information.)
 Dummy Heater Size: 12.7SQ

Alpha Company Ltd.

256-1 UEDA, NUMAZU-CITY SHIZUOKA-PREF., JAPAN
 PHONE +81(55)966 0789
 FAX +81(55)966 9192
 E mail : alpha@micforg.co.jp
 URL : <http://www.micforg.co.jp>

Alpha Novatech, Inc. - a subsidiary of Alpha Company.

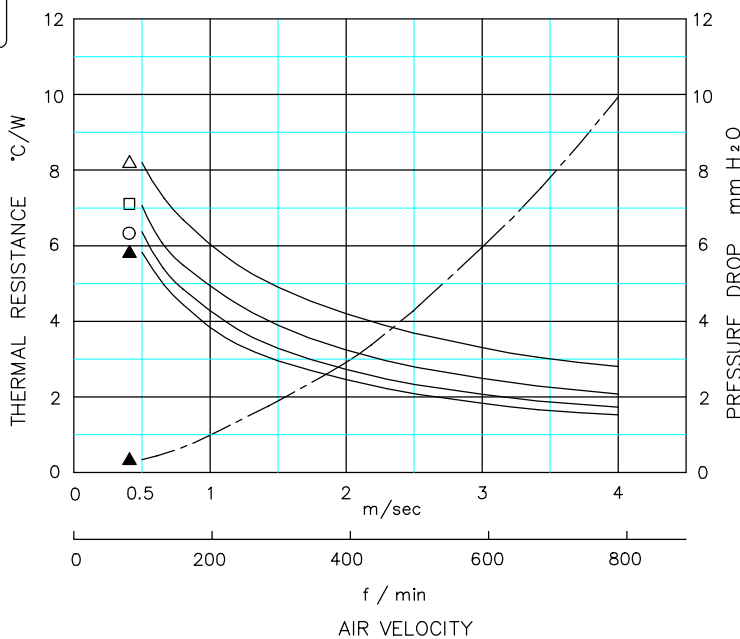
473 Sapena Ct. #12 Santa Clara, CA 95054 USA
 PHONE +1(408)567-8082
 FAX +1(408)567-8053
 E mail : sales@alphanovatech.com
 URL : <http://www.alphanovatech.com>



HEAT SINK
 MATERIAL : A 6063
 FINISH : BLACK ANODIZE

MODEL	HEIGHT h	WEIGHT (grams)
ST40-4B	4	9.7
ST40-5B	5	10.3
ST40-6B	6	10.9
ST40-7B	7	11.5

Dimensions : mm



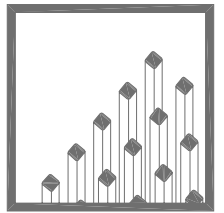
- Thermal Resistance (Ducted)
(Solid Line ———)
- Pressure Drop
(Center Line - - - -)

- △ ST40-4B
- ST40-5B
- ST40-6B
- ▲ ST40-7B

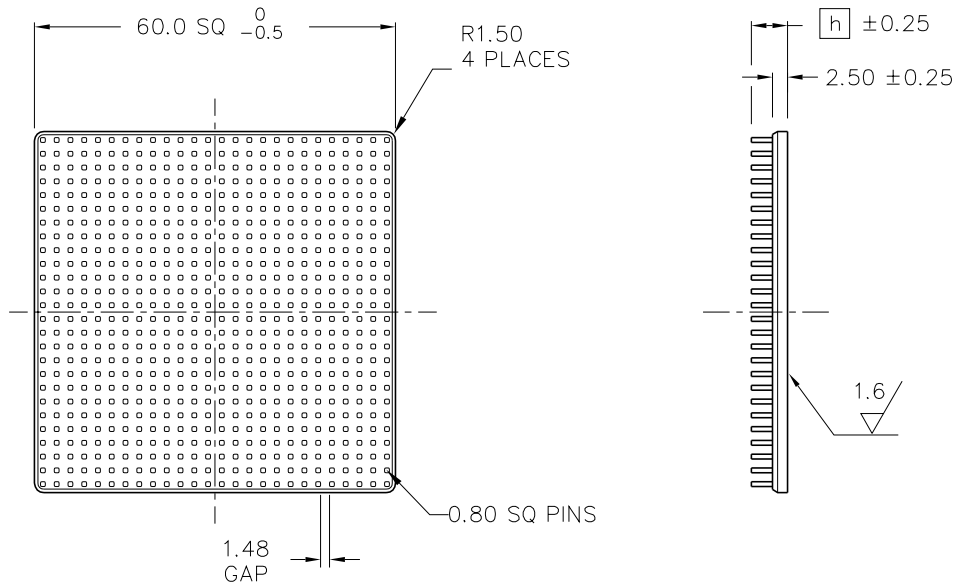
■ Based on Alpha's Standard Test Procedure. (Refer to page marked Technical Information.)
 Dummy Heater Size: 12.7SQ

Omnidirectional Heat Sink

ST6

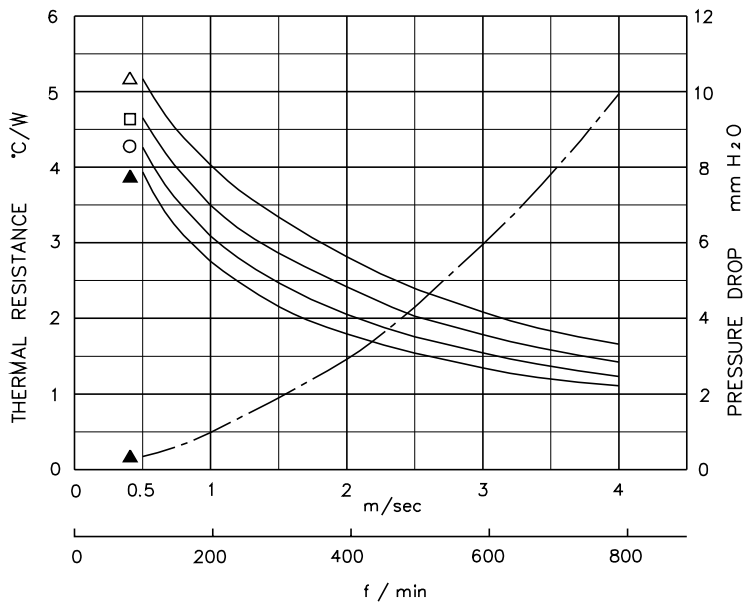


DIM



MODEL	HEIGHT h	WEIGHT (grams)
ST60-4B	4	26.1
ST60-5B	5	27.3
ST60-6B	6	28.5
ST60-7B	7	29.7

DATA



- △ ST60-4B
- ST60-5B
- ST60-6B
- ▲ ST60-7B

● DUCTED CONDITION
 DUMMY HEATER SIZE: 12.7 SQ
 THERMAL RESISTANCE ———
 PRESURE DROP - - - -

■ BASED ON ALPHA'S STANDARD TEST PROCEDURE. REFER TO TECHNICAL INFORMATION.

AIR VELOCITY: DUCTED CONDITION