

UBM Series UBH Series

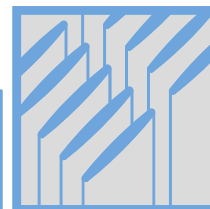
Low Pressure Drop and
Low Thermal Resistance Heat Sink
with Attachment Holes

ALPHA

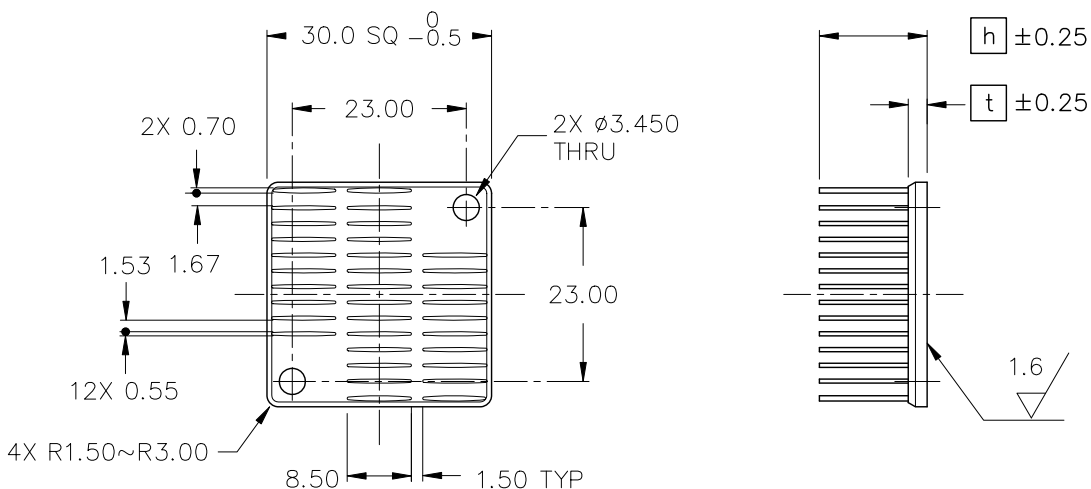
ALPHA

Low Pressure Drop and
Low Thermal Resistance Heat Sink
with attachment holes

UBM30



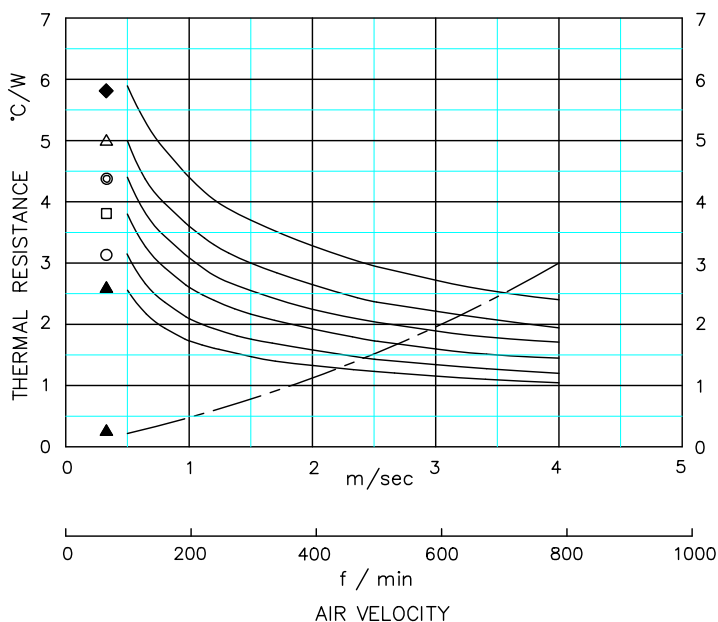
DIM



MODEL	HEIGHT [h]	THICKNESS [t]	WEIGHT (grams)
UBM30-8BP	8	2.00	6.8
UBM30-10BP	10	2.50	8.5
UBM30-12BP	12		9.3
UBM30-15BP	15		10.4
UBM30-20BP	20		12.2
UBM30-25BP	25		14.1
UBM30-[h]BP	$8 \leq [h] < 10$	2.00	-
	$10 \leq [h] \leq 25$	2.50	-

MATERIAL : A 6063
FINISH : BLACK ANODIZE
DIMENSIONS : mm

DATA



- ◆ UBM30-8BP
- △ UBM30-10BP
- ◎ UBM30-12BP
- UBM30-15BP
- UBM30-20BP
- ▲ UBM30-25BP

● DUCTED CONDITION
DUMMY HEATER SIZE: 12.7 SQ
THERMAL RESISTANCE ———
PRESSURE DROP - - - - -

■ BASED ON ALPHA'S STANDARD TEST PROCEDURE.
REFER TO TECHNICAL INFORMATION.

AIR VELOCITY: DUCTED CONDITION

Alpha Company Ltd.

256-1 UEDA, NUMAZU-CITY SHIZUOKA-PREF., JAPAN
PHONE +81(55)966 0789
FAX +81(55)966 9192
E mail : alpha@micforg.co.jp
URL : http://www.micforg.co.jp

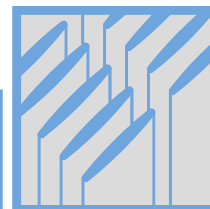
Alpha Novatech, Inc. - a subsidiary of Alpha Company.

473 Sapena Ct. #12 Santa Clara, CA 95054 USA
PHONE +1(408)567-8082
FAX +1(408)567-8053
E mail : sales@alphanovatech.com
URL : http://www.alphanovatech.com

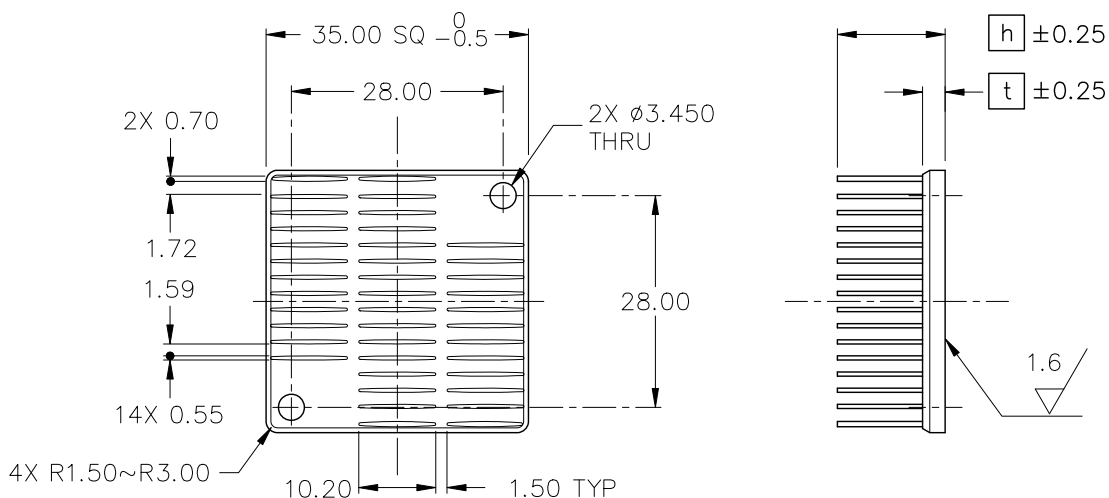
ALPHA

Low Pressure Drop and
Low Thermal Resistance Heat Sink
with attachment holes

UBM35



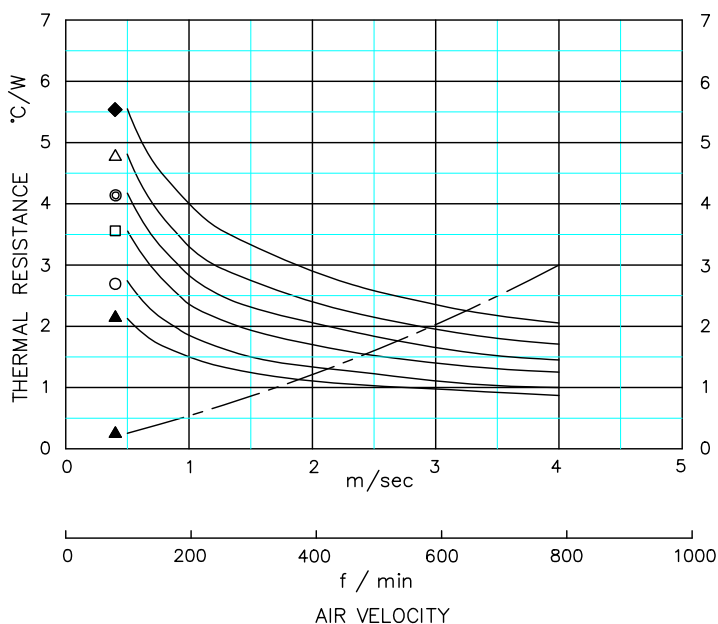
DIM



MODEL	HEIGHT [h]	THICKNESS [t]	WEIGHT (grams)
UBM35-8BP	8	2.00	9.4
UBM35-10BP	10	3.00	13.1
UBM35-12BP	12		14.2
UBM35-15BP	15		15.8
UBM35-20BP	20		18.4
UBM35-25BP	25		21.0
UBM35-[h]BP	$8 \leq [h] < 10$	2.00	-
	$10 \leq [h] \leq 25$	3.00	-

MATERIAL : A 6063
FINISH : BLACK ANODIZE
DIMENSIONS : mm

DATA



- ◆ UBM35-8BP
- △ UBM35-10BP
- ◎ UBM35-12BP
- UBM35-15BP
- UBM35-20BP
- ▲ UBM35-25BP

● DUCTED CONDITION
DUMMY HEATER SIZE: 12.7 SQ
THERMAL RESISTANCE ———
PRESSURE DROP - - - - -

■ BASED ON ALPHA'S STANDARD TEST PROCEDURE.
REFER TO TECHNICAL INFORMATION.

AIR VELOCITY: DUCTED CONDITION

Alpha Company Ltd.

256-1 UEDA, NUMAZU-CITY SHIZUOKA-PREF., JAPAN
PHONE +81(55)966 0789
FAX +81(55)966 9192
E mail : alpha@micforg.co.jp
URL : http://www.micforg.co.jp

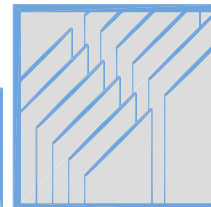
Alpha Novatech, Inc. - a subsidiary of Alpha Company.

473 Sapena Ct. #12 Santa Clara, CA 95054 USA
PHONE +1(408)567-8082
FAX +1(408)567-8053
E mail : sales@alphanovatech.com
URL : http://www.alphanovatech.com

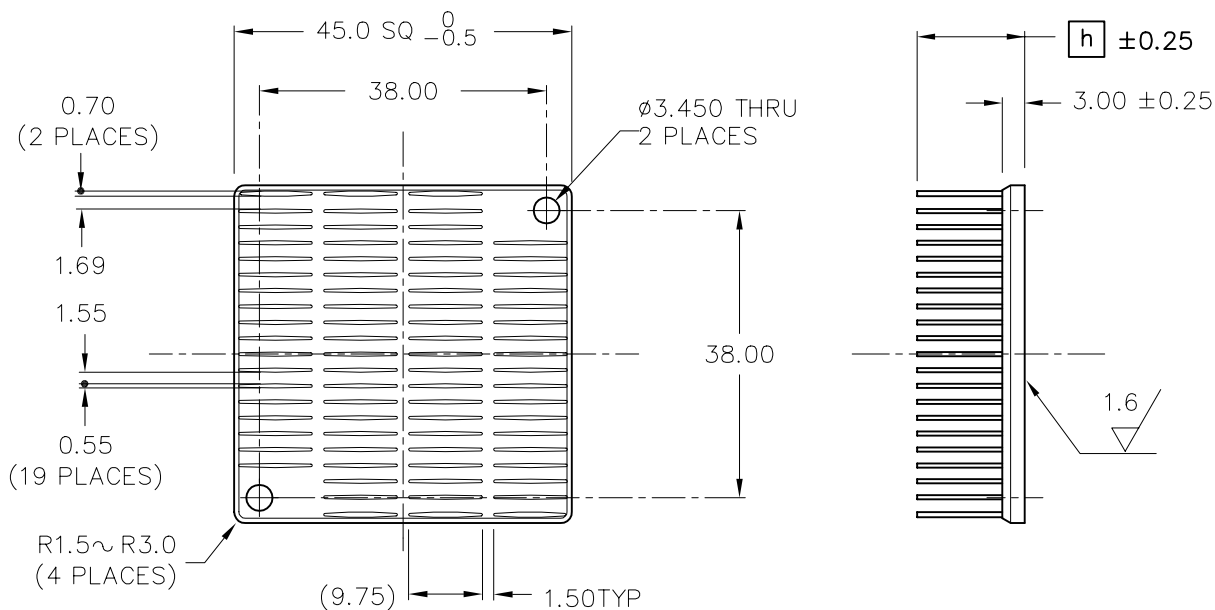
ALPHA

Low Pressure Drop and
Low Thermal Resistance Heat Sink
with attachment holes

UBM 45



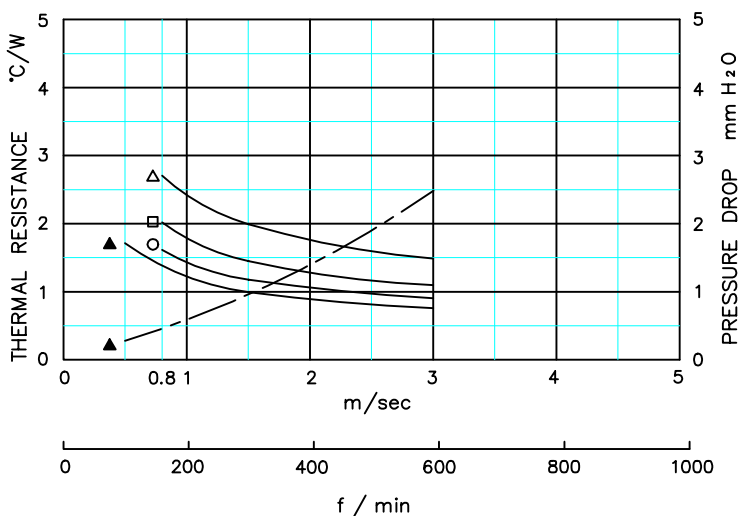
DIM



MODEL	HEIGHT [h]	WEIGHT (grams)
UBM45-10BP	10	21.1
UBM45-15BP	15	26.9
UBM45-20BP	20	32.8
UBM45-25BP	25	38.6

MATERIAL : A 6063
FINISH : BLACK ANODIZE
DIMENSIONS : mm

DATA



△ UBM45-10BP
 □ UBM45-15BP
 ○ UBM45-20BP
 ▲ UBM45-25BP
 ● DUCTED CONDITION
 DUMMY HEATER SIZE: 12.7 SQ
 THERMAL RESISTANCE ———
 PRESSURE DROP - - - -

AIR VELOCITY: DUCTED CONDITION

■ BASED ON ALPHA'S STANDARD TEST
 PROCEDURE.
 REFER TO TECHNICAL INFORMATION.

Alpha Company Ltd.

256-1 UEDA, NUMAZU-CITY SHIZUOKA-PREF., JAPAN
 PHONE +81(55)966 0789
 FAX +81(55)966 9192
 E mail : alpha@micforg.co.jp
 URL : <http://www.micforg.co.jp>

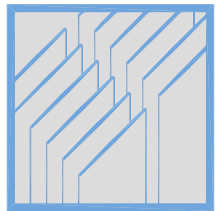
Alpha Novatech, Inc. - a subsidiary of Alpha Company.

473 Sapena Ct. #12 Santa Clara, CA 95054 USA
 PHONE +1(408)567-8082
 FAX +1(408)567-8053
 E mail : sales@alphanovatech.com
 URL : <http://www.alphanovatech.com>

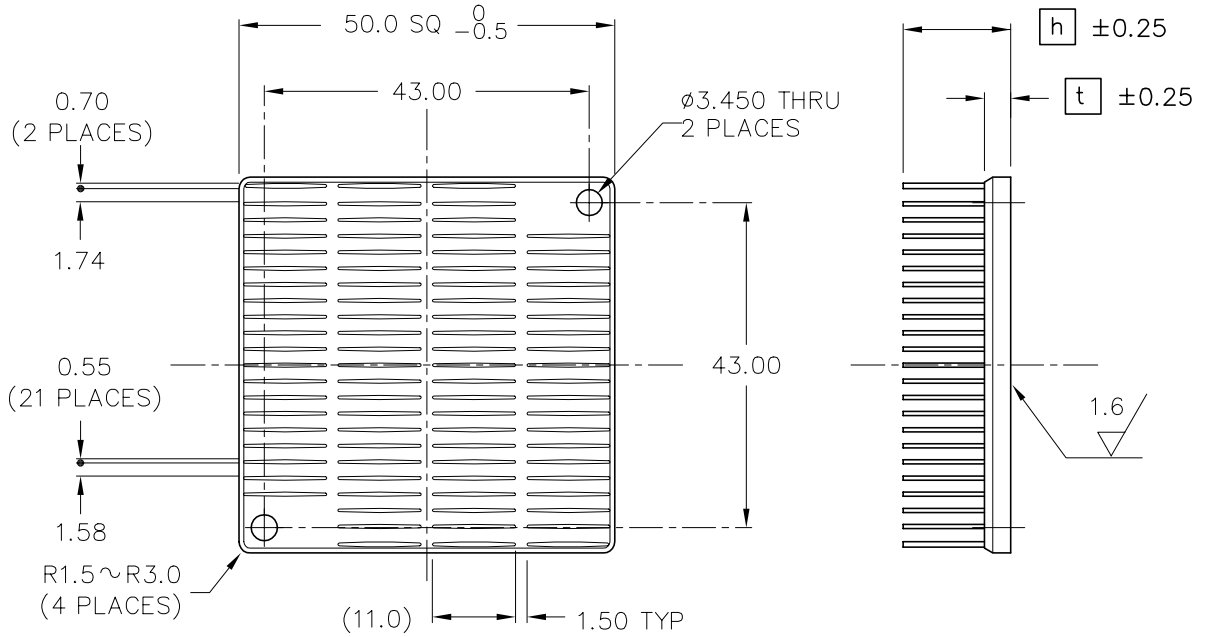
ALPHA

Low Pressure Drop and
Low Thermal Resistance Heat Sink
with attachment holes

UBM50



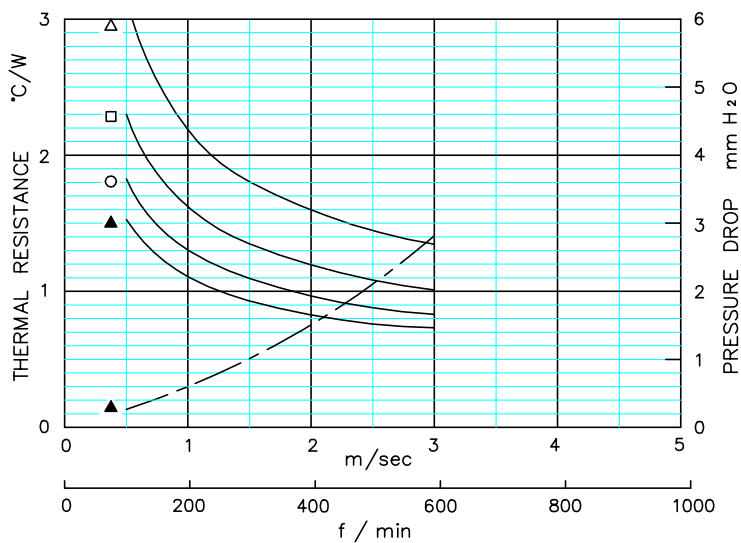
DIM



MODEL	HEIGHT h	THICKNESS t	WEIGHT (grams)
UBM50-10BP	10	3.0	27.0
UBM50-15BP	15	3.5	36.8
UBM50-20BP	20		43.8
UBM50-25BP	25		50.9

MATERIAL : A 6063
FINISH : BLACK ANODIZE
DIMENSIONS : mm

DATA



- △ UBM50-10BP
- UBM50-15BP
- UBM50-20BP
- ▲ UBM50-25BP

● DUCTED CONDITION
DUMMY HEATER SIZE: 12.7 SQ
THERMAL RESISTANCE ———
PRESSURE DROP - - - - -

AIR VELOCITY: DUCTED CONDITION

■ BASED ON ALPHA'S STANDARD TEST PROCEDURE. REFER TO TECHNICAL INFORMATION.

Alpha Company Ltd.

256-1 UEDA, NUMAZU-CITY SHIZUOKA-PREF., JAPAN
PHONE +81(55)966 0789
FAX +81(55)966 9192
E mail : alpha@micforg.co.jp
URL : <http://www.micforg.co.jp>

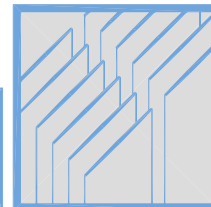
Alpha Novatech, Inc. - a subsidiary of Alpha Company.

473 Sapena Ct. #12 Santa Clara, CA 95054 USA
PHONE +1(408)567-8082
FAX +1(408)567-8053
E mail : sales@alphanovatech.com
URL : <http://www.alphanovatech.com>

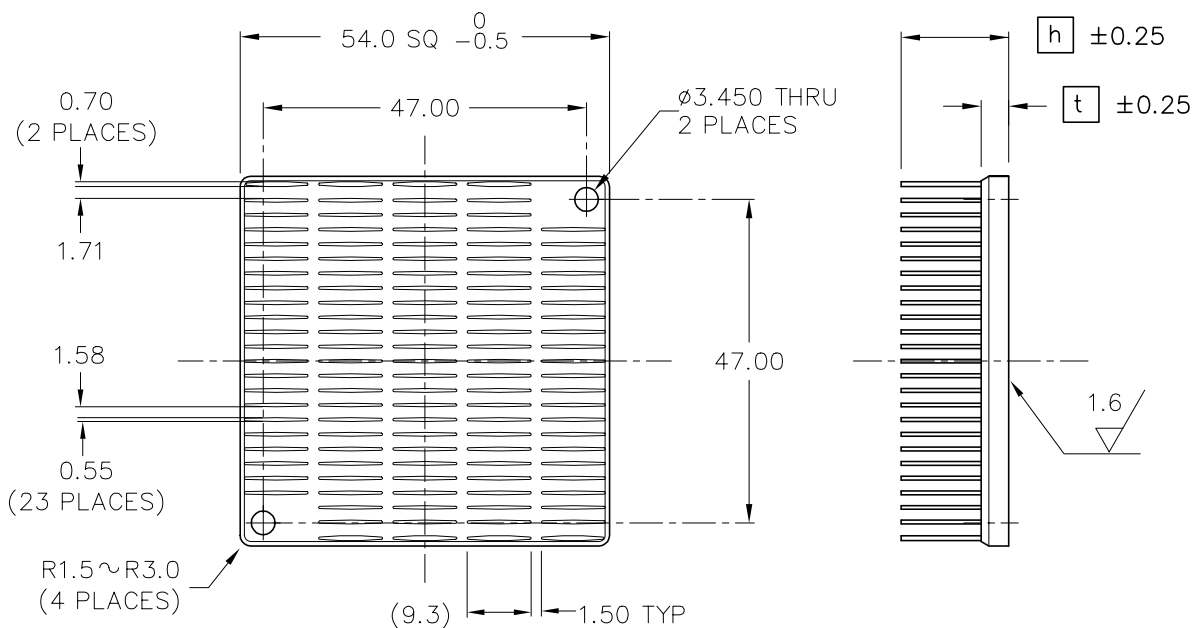
ALPHA

Low Pressure Drop and
Low Thermal Resistance Heat Sink
with attachment holes

UBM54



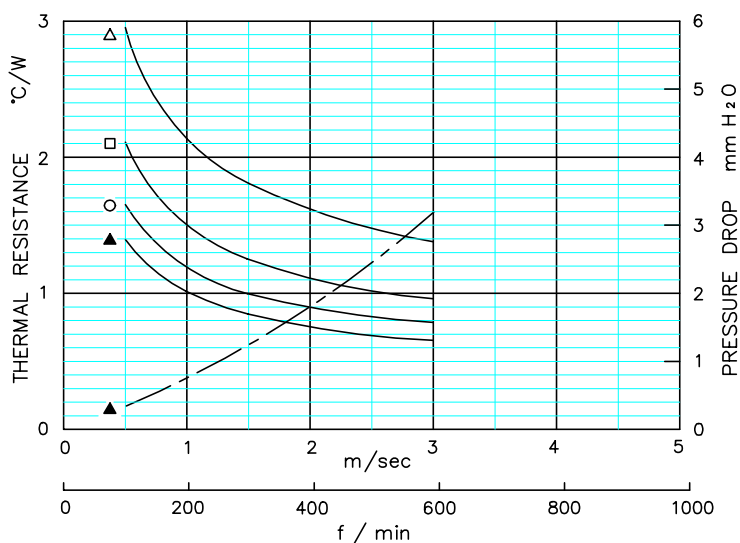
DIM



MODEL	HEIGHT h	THICKNESS t	WEIGHT (grams)
UBM54-10BP	10	3.0	32.2
UBM54-15BP	15	4.0	46.5
UBM54-20BP	20		54.4
UBM54-25BP	25		62.2

MATERIAL : A 6063
FINISH : BLACK ANODIZE
DIMENSIONS : mm

DATA



- △ UBM54-10BP
- UBM54-15BP
- UBM54-20BP
- ▲ UBM54-25BP

● DUCTED CONDITION
DUMMY HEATER SIZE: 12.7 SQ
THERMAL RESISTANCE ———
PRESSURE DROP - - - -

AIR VELOCITY: DUCTED CONDITION

■ BASED ON ALPHA'S STANDARD TEST PROCEDURE.
REFER TO TECHNICAL INFORMATION.

Alpha Company Ltd.

256-1 UEDA, NUMAZU-CITY SHIZUOKA-PREF., JAPAN
PHONE +81(55)966 0789
FAX +81(55)966 9192
E mail : alpha@micforg.co.jp
URL : <http://www.micforg.co.jp>

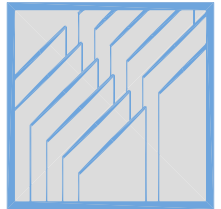
Alpha Novatech, Inc. - a subsidiary of Alpha Company.

473 Sapena Ct. #12 Santa Clara, CA 95054 USA
PHONE +1(408)567-8082
FAX +1(408)567-8053
E mail : sales@alphanovatech.com
URL : <http://www.alphanovatech.com>

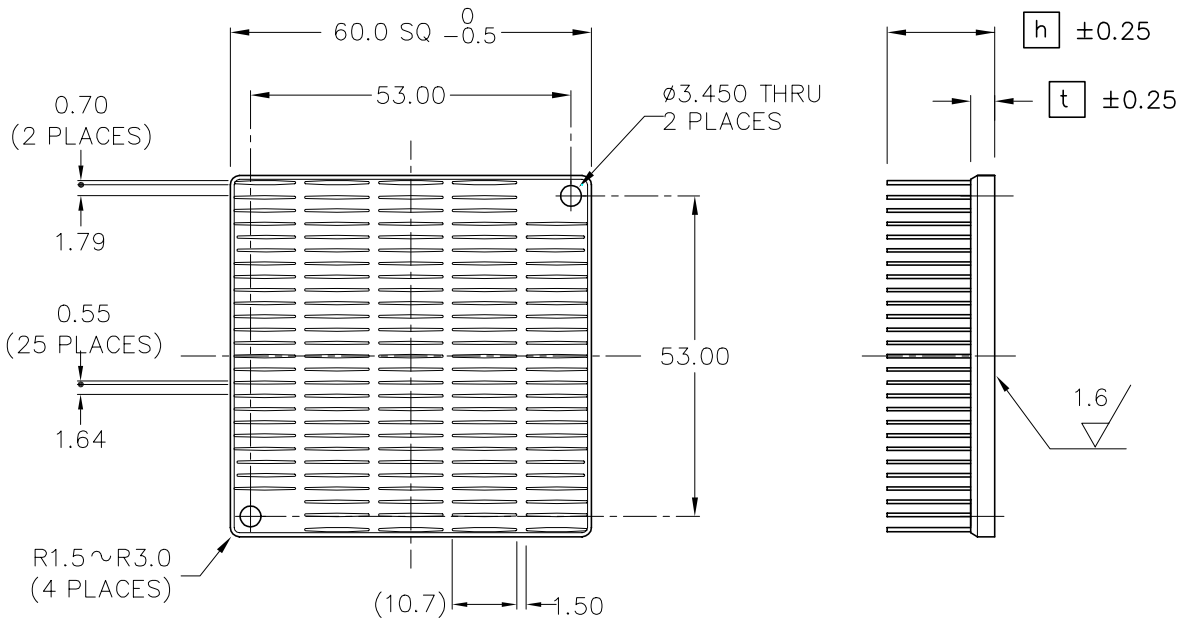
ALPHA

Low Pressure Drop and
Low Thermal Resistance Heat Sink
with attachment holes

UBM60



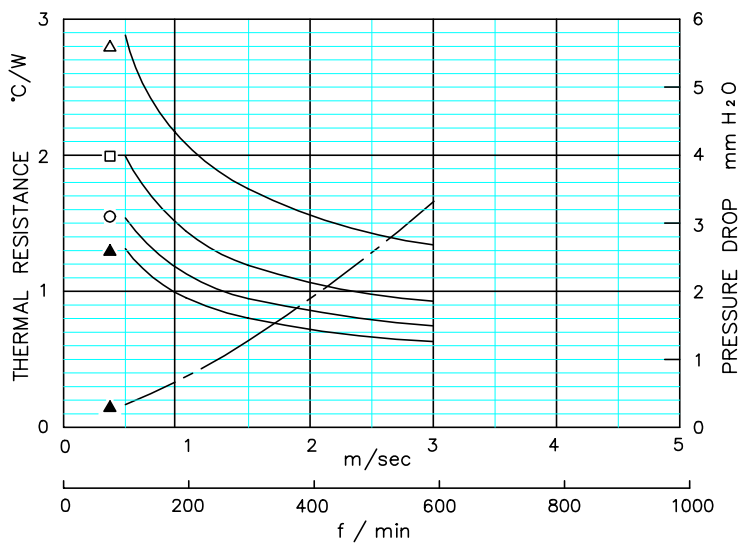
DIM



MODEL	HEIGHT h	THICKNESS t	WEIGHT (grams)
UBM60-10BP	10	3.0	41.0
UBM60-15BP	15	4.0	57.0
UBM60-20BP	20		65.0
UBM60-25BP	25		73.0

MATERIAL : A 6063
FINISH : BLACK ANODIZE
DIMENSIONS : mm

DATA



△ UBM60-10BP
□ UBM60-15BP
○ UBM60-20BP
▲ UBM60-25BP

● DUCTED CONDITION
DUMMY HEATER SIZE: 12.7 SQ
THERMAL RESISTANCE ———
PRESSURE DROP - - - -

AIR VELOCITY: DUCTED CONDITION

■ BASED ON ALPHA'S STANDARD TEST PROCEDURE.
REFER TO TECHNICAL INFORMATION.

Alpha Company Ltd.

256-1 UEDA, NUMAZU-CITY SHIZUOKA-PREF., JAPAN
PHONE +81(55)966 0789
FAX +81(55)966 9192
E mail : alpha@micforg.co.jp
URL : <http://www.micforg.co.jp>

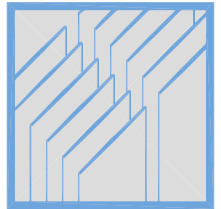
Alpha Novatech, Inc. - a subsidiary of Alpha Company.

473 Sapena Ct. #12 Santa Clara, CA 95054 USA
PHONE +1(408)567-8082
FAX +1(408)567-8053
E mail : sales@alphanovatech.com
URL : <http://www.alphanovatech.com>

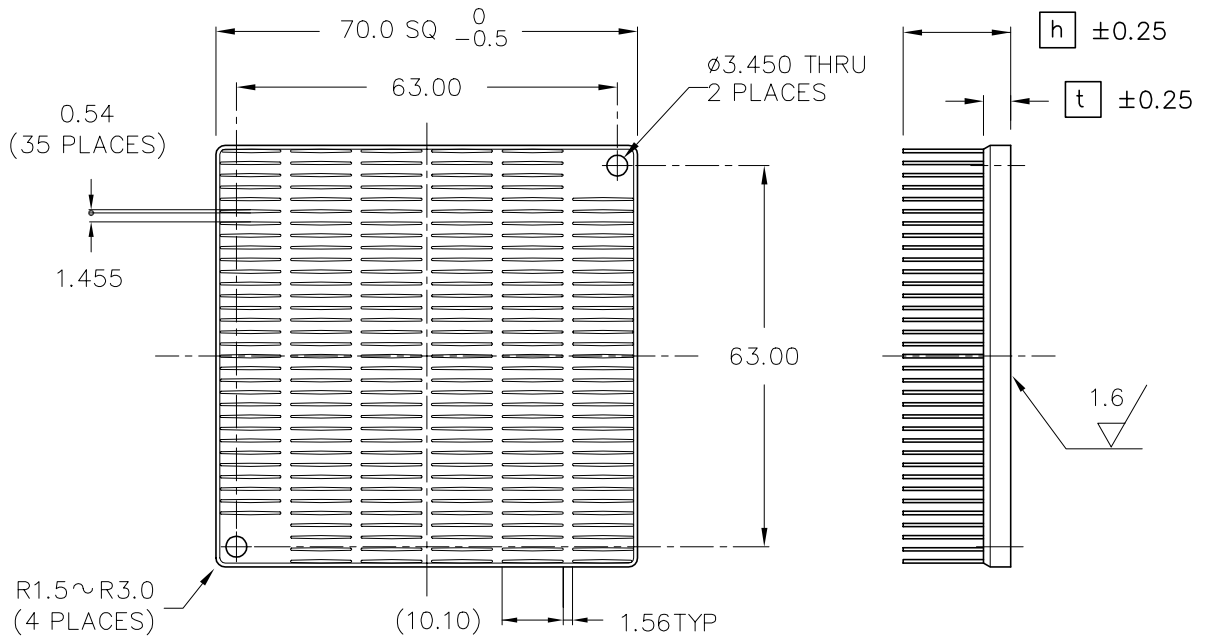
ALPHA

Low Pressure Drop and
Low Thermal Resistance Heat Sink
with attachment holes

UBM70



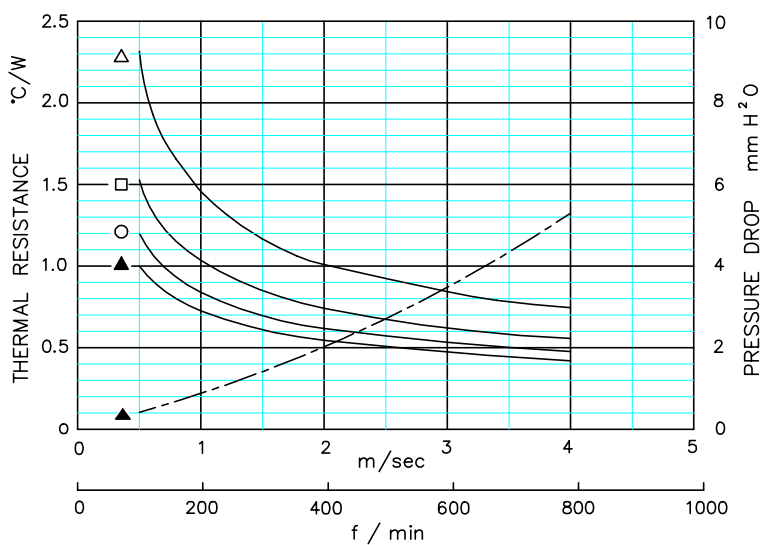
DIM



MODEL	HEIGHT [h]	THICKNESS [t]	WEIGHT (grams)
UBM70-10BP	10	3.0	75.1
UBM70-15BP	15	4.0	97.2
UBM70-20BP	20		108.9
UBM70-25BP	25		120.6

MATERIAL : A 6063
FINISH : BLACK ANODIZE
DIMENSIONS : mm

DATA



△ UBM70-10BP
□ UBM70-15BP
○ UBM70-20BP
▲ UBM70-25BP

● DUCTED CONDITION
DUMMY HEATER SIZE: 12.7 SQ
THERMAL RESISTANCE ———
PRESSURE DROP - - - - -

AIR VELOCITY: DUCTED CONDITION

■ BASED ON ALPHA'S STANDARD TEST PROCEDURE. REFER TO TECHNICAL INFORMATION.

Alpha Company Ltd.

256-1 UEDA, NUMAZU-CITY SHIZUOKA-PREF., JAPAN
PHONE +81(55)966 0789
FAX +81(55)966 9192
E mail : alpha@micforg.co.jp
URL : http://www.micforg.co.jp

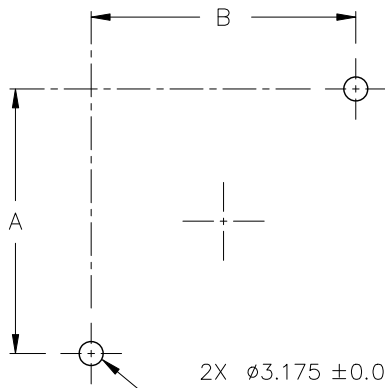
Alpha Novatech, Inc. - a subsidiary of Alpha Company.

473 Sapena Ct. #12 Santa Clara, CA 95054 USA
PHONE +1(408)567-8082
FAX +1(408)567-8053
E mail : sales@alphanovatech.com
URL : http://www.alphanovatech.com

REF



PCB HOLE LAYOUT



2X $\phi 3.175 \pm 0.05$ [$\phi .125 \pm .002$]
 USE OF PLATED HOLES TO REDUCE EXCESSIVE WEAR
 AND INSERTION FORCE IS RECOMMENDED.

LPDM30, UBM30, ZM30	23.0	23.0
LPDM35, UBM35, ZM35	28.0	28.0
LPDM40, UBM40, ZM40	33.0	33.0
LPDM45, UBM45, ZM45	38.0	38.0
LPDM50, UBM50, ZM50	43.0	43.0
LPDM54, UBM54, ZM54	47.0	47.0
LPDM60, UBM60, ZM60	53.0	53.0
LPDM70, UBM70	63.0	63.0
MODEL	A	B

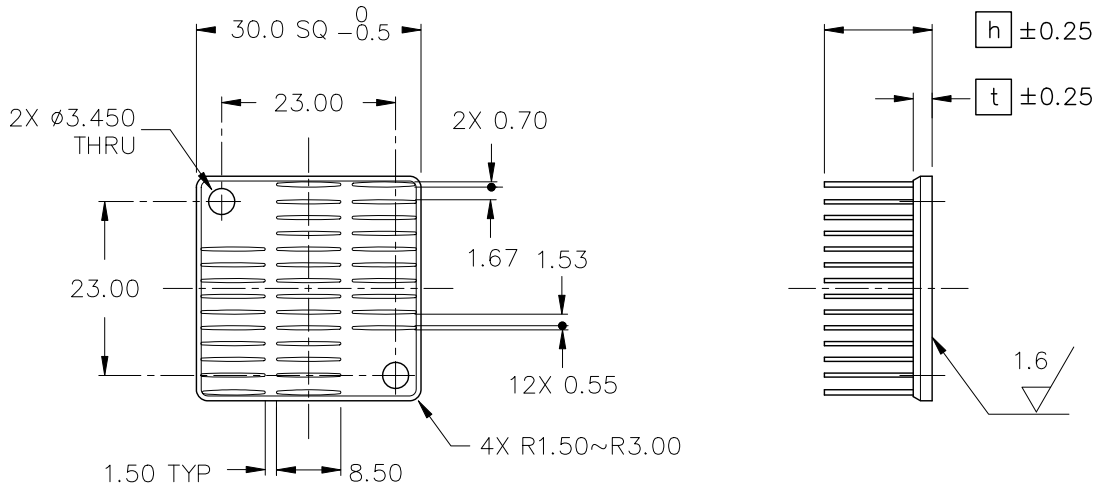
ALPHA

Low Pressure Drop and
Low Thermal Resistance Heat Sink
with attachment holes

UBH 30



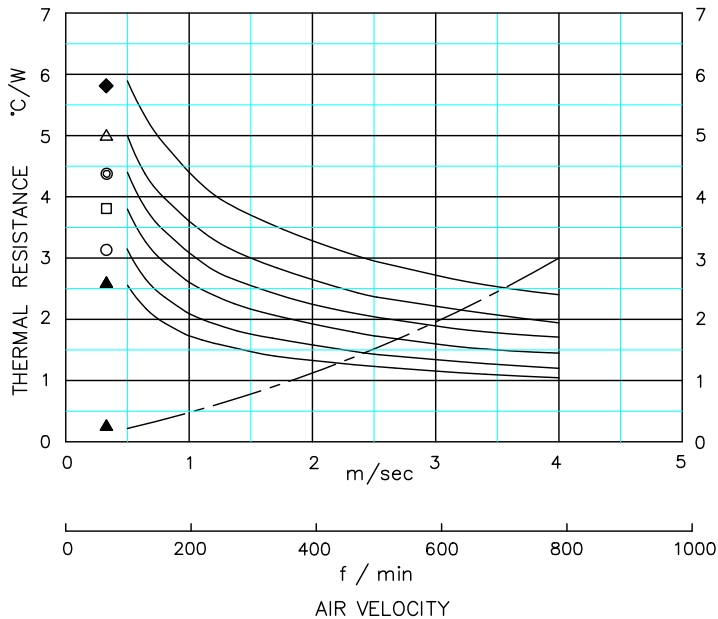
DIM



MODEL	HEIGHT [h]	THICKNESS [t]	WEIGHT (grams)
UBH30-8BP	8	2.00	6.8
UBH30-10BP	10	2.50	8.5
UBH30-12BP	12		9.3
UBH30-15BP	15		10.4
UBH30-20BP	20		12.2
UBH30-25BP	25		14.1
UBH30-[h]BP	$8 \leq [h] < 10$	2.00	-
	$10 \leq [h] \leq 25$	2.50	-

MATERIAL : A 6063
FINISH : BLACK ANODIZE
DIMENSIONS : mm

DATA



- ◆ UBH30-8BP
- △ UBH30-10BP
- ◎ UBH30-12BP
- UBH30-15BP
- UBH30-20BP
- ▲ UBH30-25BP

● DUCTED CONDITION
DUMMY HEATER SIZE: 12.7 SQ
THERMAL RESISTANCE ———
PRESSURE DROP - - - - -

■ BASED ON ALPHA'S STANDARD TEST PROCEDURE.
REFER TO TECHNICAL INFORMATION.

AIR VELOCITY: DUCTED CONDITION

Alpha Company Ltd.

256-1 UEDA, NUMAZU-CITY SHIZUOKA-PREF., JAPAN
PHONE +81(55)966 0789
FAX +81(55)966 9192
E mail : alpha@micforg.co.jp
URL : http://www.micforg.co.jp

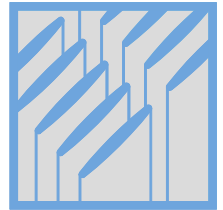
Alpha Novatech, Inc. - a subsidiary of Alpha Company.

473 Sapena Ct. #12 Santa Clara, CA 95054 USA
PHONE +1(408)567-8082
FAX +1(408)567-8053
E mail : sales@alphanovatech.com
URL : http://www.alphanovatech.com

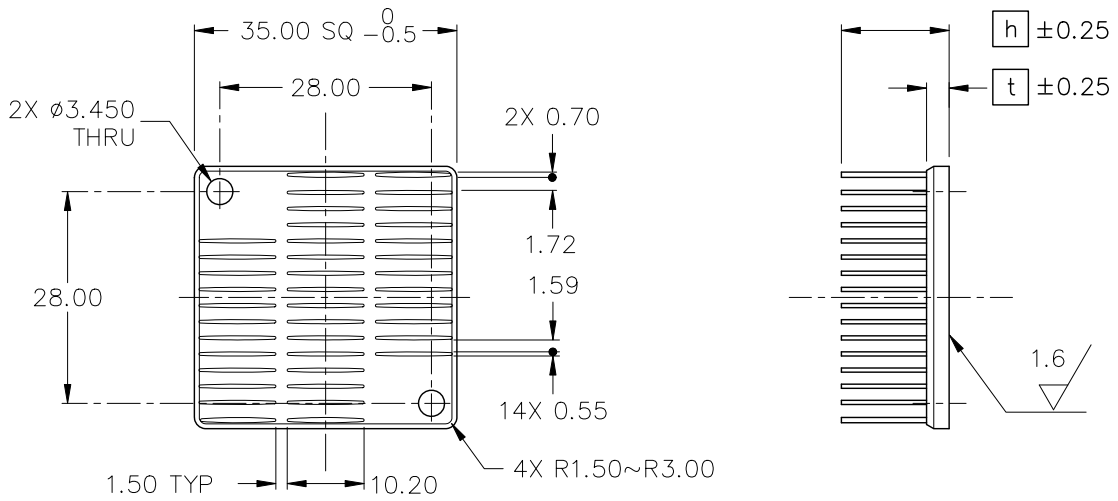
ALPHA

Low Pressure Drop and
Low Thermal Resistance Heat Sink
with attachment holes

UBH 35



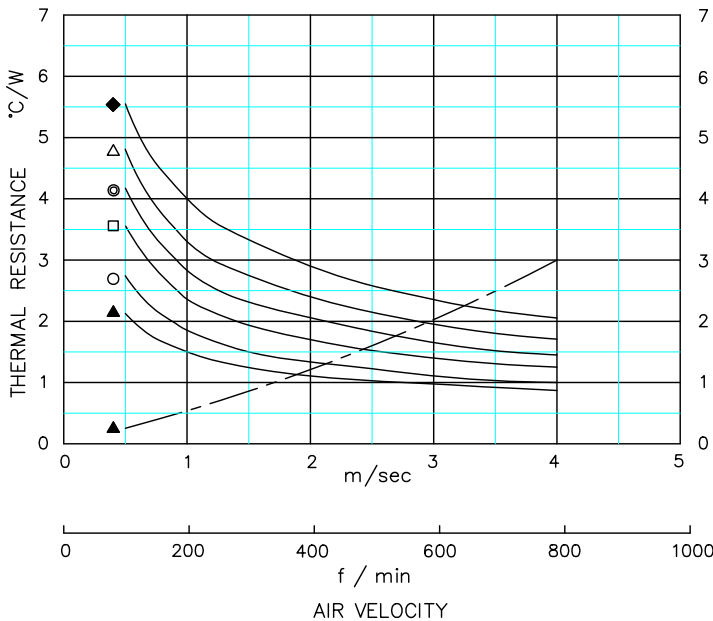
DIM



MODEL	HEIGHT [h]	THICKNESS [t]	WEIGHT (grams)
UBH35-8BP	8	2.00	9.4
UBH35-10BP	10	3.00	13.1
UBH35-12BP	12		14.2
UBH35-15BP	15		15.8
UBH35-20BP	20		18.4
UBH35-25BP	25		21.0
UBH35-[h]BP	$8 \leq [h] < 10$	2.00	-
	$10 \leq [h] \leq 25$	3.00	-

MATERIAL : A 6063
FINISH : BLACK ANODIZE
DIMENSIONS : mm

DATA



- ◆ UBH35-8BP
- △ UBH35-10BP
- ◎ UBH35-12BP
- UBH35-15BP
- UBH35-20BP
- ▲ UBH35-25BP

● DUCTED CONDITION
DUMMY HEATER SIZE: 12.7 SQ
THERMAL RESISTANCE ———
PRESSURE DROP - - - - -

■ BASED ON ALPHA'S STANDARD TEST PROCEDURE.
REFER TO TECHNICAL INFORMATION.

AIR VELOCITY: DUCTED CONDITION

Alpha Company Ltd.

256-1 UEDA, NUMAZU-CITY SHIZUOKA-PREF., JAPAN
PHONE +81(55)966 0789
FAX +81(55)966 9192
E mail : alpha@micforg.co.jp
URL : http://www.micforg.co.jp

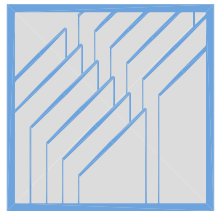
Alpha Novatech, Inc. - a subsidiary of Alpha Company.

473 Sapena Ct. #12 Santa Clara, CA 95054 USA
PHONE +1(408)567-8082
FAX +1(408)567-8053
E mail : sales@alphanovatech.com
URL : http://www.alphanovatech.com

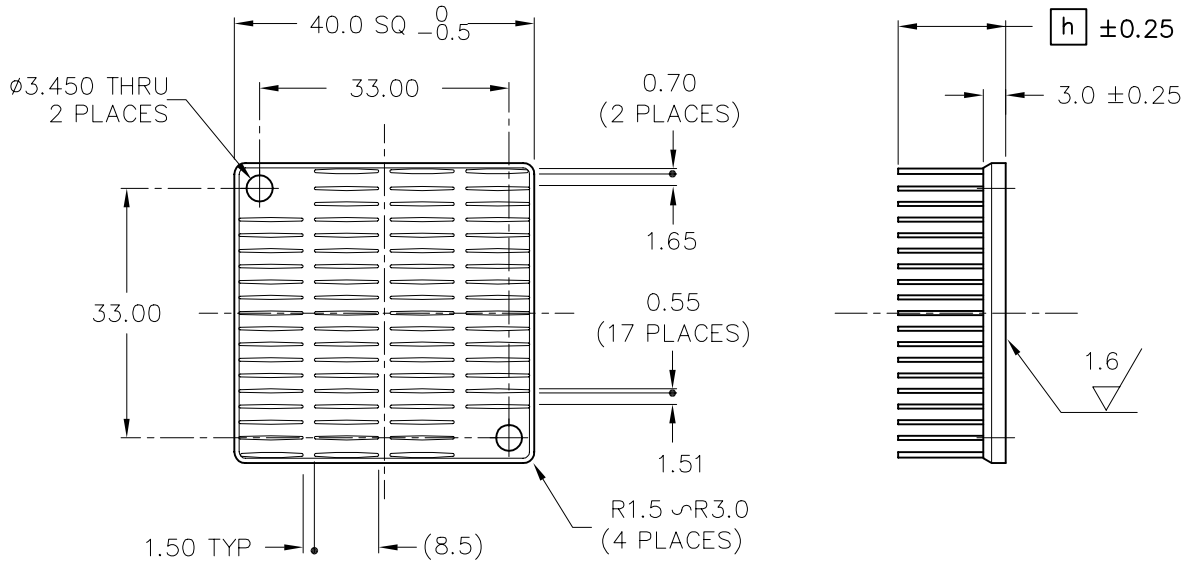
ALPHA

Low Pressure Drop and
Low Thermal Resistance Heat Sink
with attachment holes

UBH 40



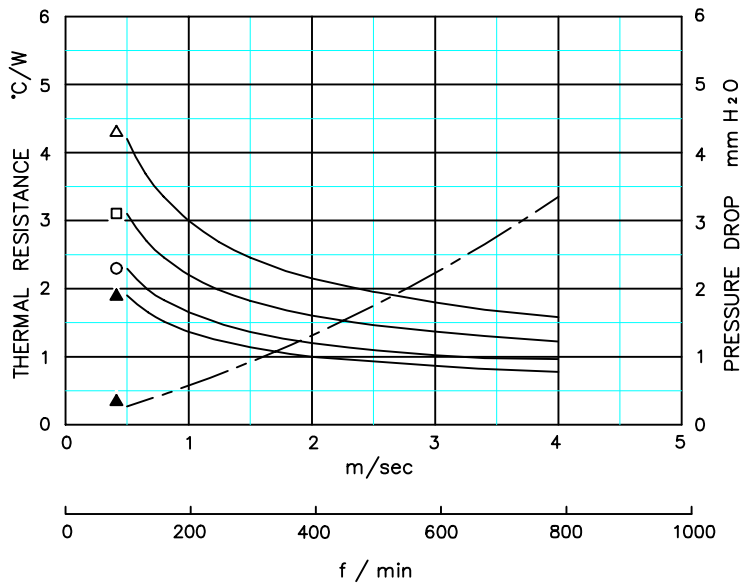
DIM



MODEL	HEIGHT [h]	WEIGHT (grams)
UBH40-10BP	10	17.1
UBH40-15BP	15	21.5
UBH40-20BP	20	26.0
UBH40-25BP	25	30.3

MATERIAL : A 6063
FINISH : BLACK ANODIZE
DIMENSIONS : mm

DATA



- △ UBH40-10BP
- UBH40-15BP
- UBH40-20BP
- ▲ UBH40-25BP

● DUCTED CONDITION
DUMMY HEATER SIZE: 12.7 SQ
THERMAL RESISTANCE ———
PRESSURE DROP - - - -

AIR VELOCITY: DUCTED CONDITION

■ BASED ON ALPHA'S STANDARD TEST PROCEDURE. REFER TO TECHNICAL INFORMATION.

Alpha Company Ltd.

256-1 UEDA, NUMAZU-CITY SHIZUOKA-PREF., JAPAN
PHONE +81(55)966 0789
FAX +81(55)966 9192
E mail : alpha@micforg.co.jp
URL : http://www.micforg.co.jp

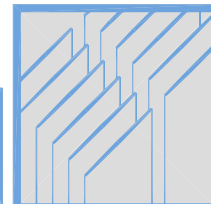
Alpha Novatech, Inc. - a subsidiary of Alpha Company.

473 Sapena Ct. #12 Santa Clara, CA 95054 USA
PHONE +1(408)567-8082
FAX +1(408)567-8053
E mail : sales@alphanovatech.com
URL : http://www.alphanovatech.com

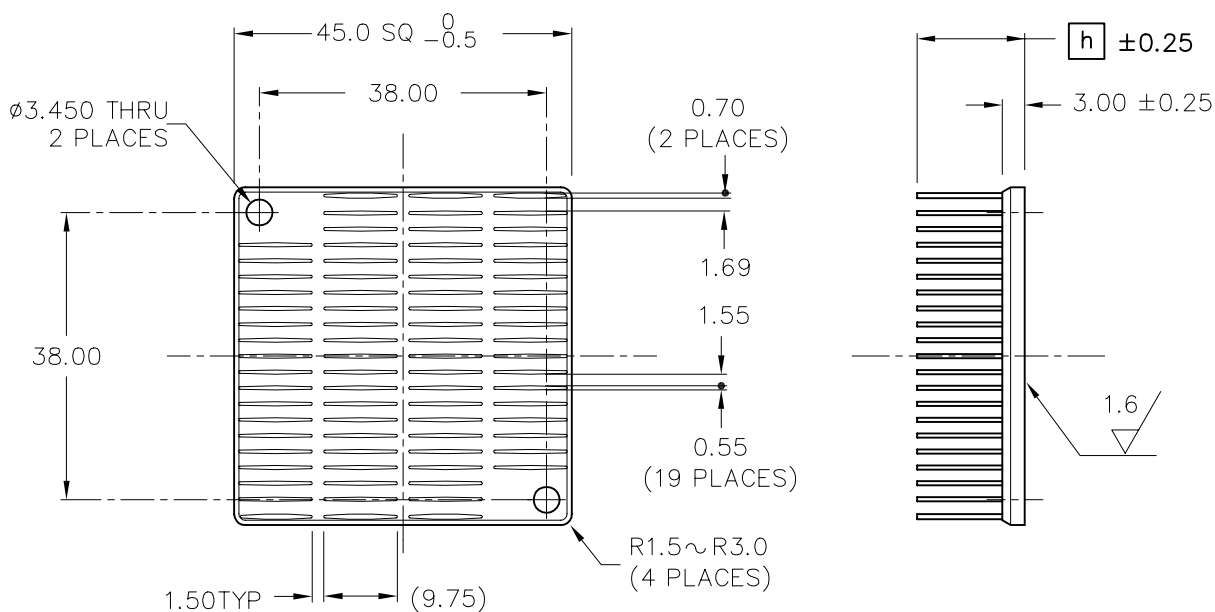
ALPHA

Low Pressure Drop and
Low Thermal Resistance Heat Sink
with attachment holes

UBH 45



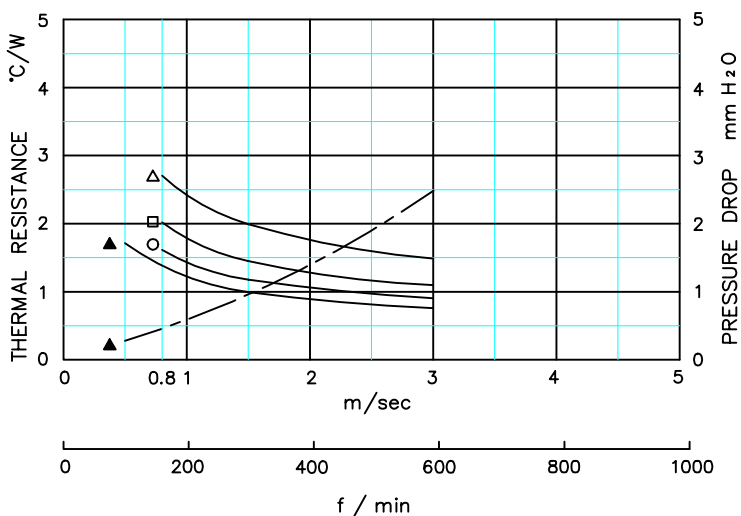
DIM



MODEL	HEIGHT [h]	WEIGHT (grams)
UBH45-10BP	10	21.1
UBH45-15BP	15	26.9
UBH45-20BP	20	32.8
UBH45-25BP	25	38.6

MATERIAL : A 6063
FINISH : BLACK ANODIZE
DIMENSIONS : mm

DATA



△ UBH45-10BP
 □ UBH45-15BP
 ○ UBH45-20BP
 ▲ UBH45-25BP
 ● DUCTED CONDITION
 DUMMY HEATER SIZE: 12.7 SQ
 THERMAL RESISTANCE ———
 PRESURE DROP - - - -

AIR VELOCITY: DUCTED CONDITION

■ BASED ON ALPHA'S STANDARD TEST
 PROCEDURE.
 REFER TO TECHNICAL INFORMATION.

Alpha Company Ltd.

256-1 UEDA, NUMAZU-CITY SHIZUOKA-PREF., JAPAN
 PHONE +81(55)966 0789
 FAX +81(55)966 9192
 E mail : alpha@micforg.co.jp
 URL : http://www.micforg.co.jp

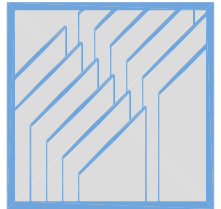
Alpha Novatech, Inc. - a subsidiary of Alpha Company.

473 Sapena Ct. #12 Santa Clara, CA 95054 USA
 PHONE +1(408)567-8082
 FAX +1(408)567-8053
 E mail : sales@alphanovatech.com
 URL : http://www.alphanovatech.com

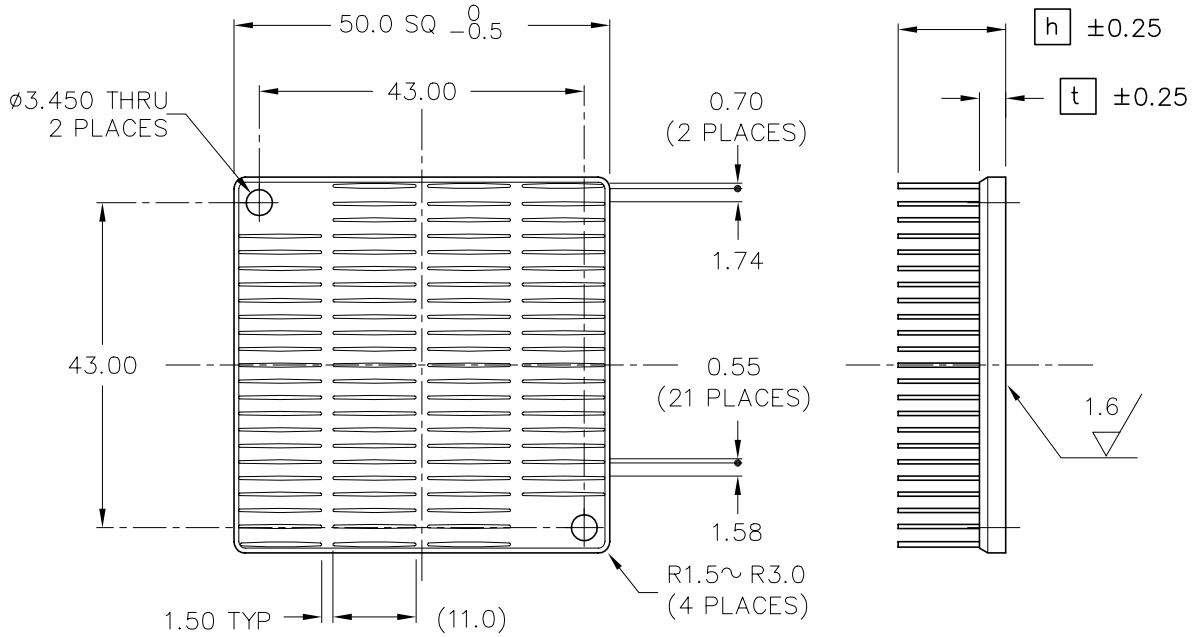
ALPHA

Low Pressure Drop and
Low Thermal Resistance Heat Sink
with attachment holes

UBH50



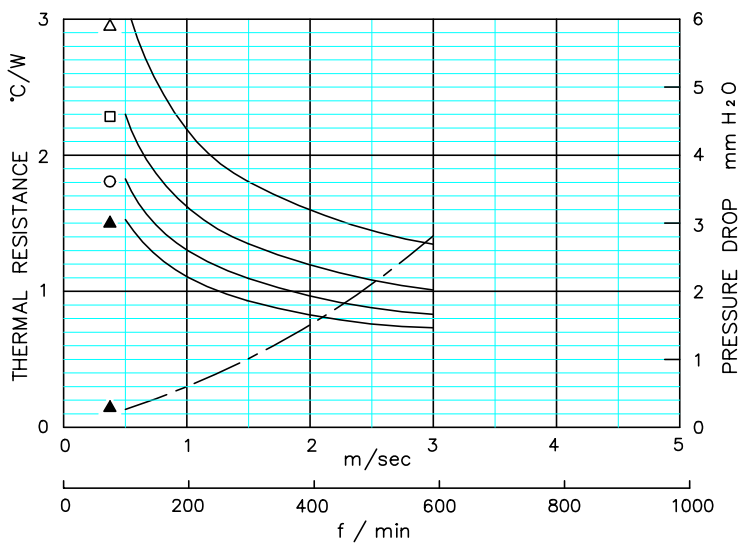
DIM



MODEL	HEIGHT [h]	THICKNESS [t]	WEIGHT (grams)
UBH50-10BP	10	3.0	27.0
UBH50-15BP	15	3.5	36.8
UBH50-20BP	20		43.8
UBH50-25BP	25		50.9

MATERIAL : A 6063
FINISH : BLACK ANODIZE
DIMENSIONS : mm

DATA



△ UBH50-10BP
□ UBH50-15BP
○ UBH50-20BP
▲ UBH50-25BP

● DUCTED CONDITION
DUMMY HEATER SIZE: 12.7 SQ
THERMAL RESISTANCE ———
PRESSURE DROP - - -

AIR VELOCITY: DUCTED CONDITION

■ BASED ON ALPHA'S STANDARD TEST PROCEDURE.
REFER TO TECHNICAL INFORMATION.

Alpha Company Ltd.

256-1 UEDA, NUMAZU-CITY SHIZUOKA-PREF., JAPAN
PHONE +81(55)966 0789
FAX +81(55)966 9192
E mail : alpha@micforg.co.jp
URL : <http://www.micforg.co.jp>

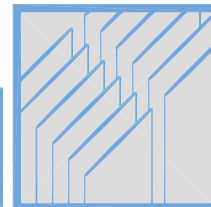
Alpha Novatech, Inc. - a subsidiary of Alpha Company.

473 Sapena Ct. #12 Santa Clara, CA 95054 USA
PHONE +1(408)567-8082
FAX +1(408)567-8053
E mail : sales@alphanovatech.com
URL : <http://www.alphanovatech.com>

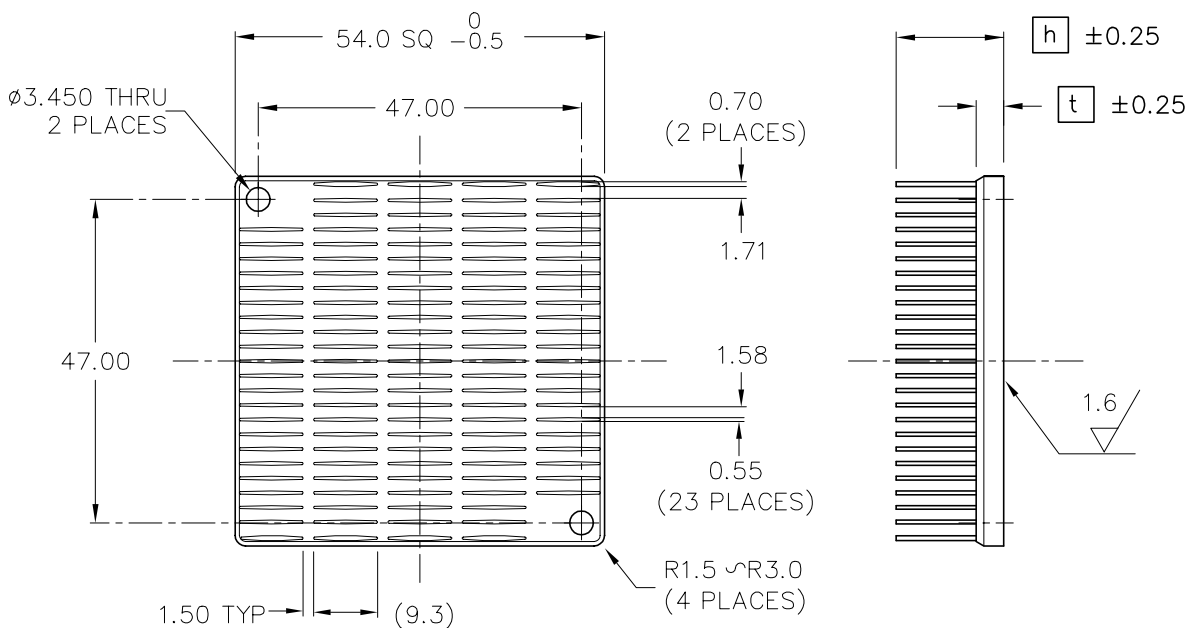
ALPHA

Low Pressure Drop and
Low Thermal Resistance Heat Sink
with attachment holes

UBH54



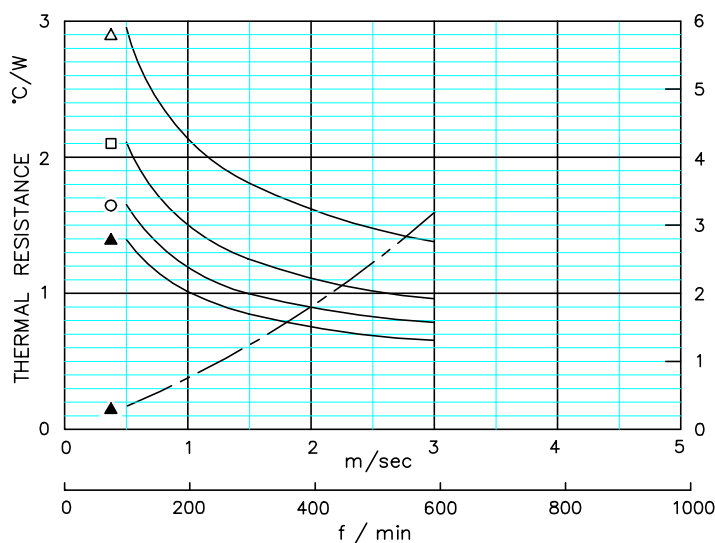
DIM



MODEL	HEIGHT [h]	THICKNESS [t]	WEIGHT (grams)
UBH54-10BP	10	3.0	32.2
UBH54-15BP	15	4.0	46.5
UBH54-20BP	20		54.4
UBH54-25BP	25		62.2

MATERIAL : A 6063
FINISH : BLACK ANODIZE
DIMENSIONS : mm

DATA



△ UBH54-10BP
 □ UBH54-15BP
 ○ UBH54-20BP
 ▲ UBH54-25BP
 ● DUCTED CONDITION
 DUMMY HEATER SIZE: 12.7 SQ
 THERMAL RESISTANCE ———
 PRESSURE DROP - - -

AIR VELOCITY: DUCTED CONDITION

■ BASED ON ALPHA'S STANDARD TEST
 PROCEDURE.
 REFER TO TECHNICAL INFORMATION.

Alpha Company Ltd.

256-1 UEDA, NUMAZU-CITY SHIZUOKA-PREF., JAPAN
 PHONE +81(55)966 0789
 FAX +81(55)966 9192
 E mail : alpha@micforg.co.jp
 URL : http://www.micforg.co.jp

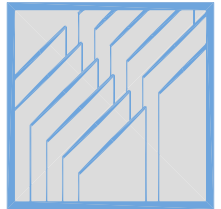
Alpha Novatech, Inc. - a subsidiary of Alpha Company.

473 Sapena Ct. #12 Santa Clara, CA 95054 USA
 PHONE +1(408)567-8082
 FAX +1(408)567-8053
 E mail : sales@alphanovatech.com
 URL : http://www.alphanovatech.com

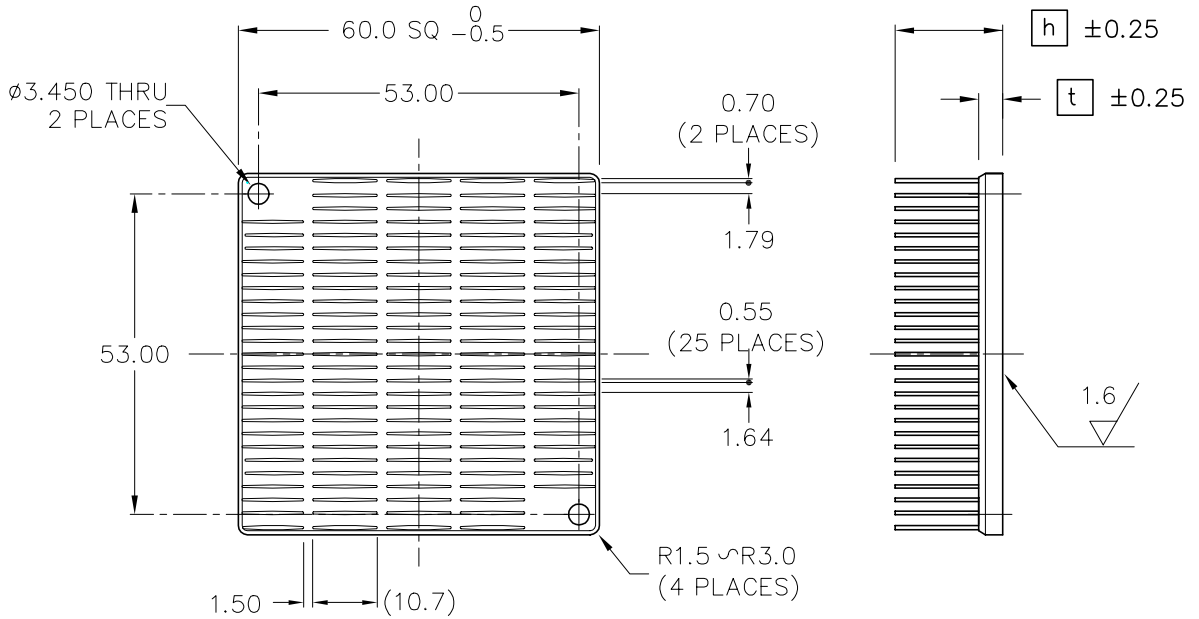
ALPHA

Low Pressure Drop and
Low Thermal Resistance Heat Sink
with attachment holes

UBH 60



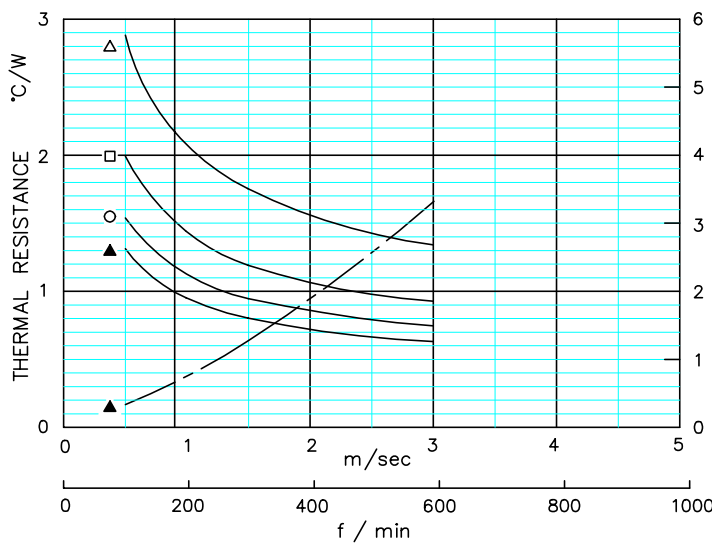
DIM



MODEL	HEIGHT [h]	THICKNESS [t]	WEIGHT (grams)
UBH60-10BP	10	3.0	41.0
UBH60-15BP	15	4.0	57.0
UBH60-20BP	20		65.0
UBH60-25BP	25		73.0

MATERIAL : A 6063
FINISH : BLACK ANODIZE
DIMENSIONS : mm

DATA



△ UBH60-10BP
□ UBH60-15BP
○ UBH60-20BP
▲ UBH60-25BP

● DUCTED CONDITION
DUMMY HEATER SIZE: 12.7 SQ
THERMAL RESISTANCE ———
PRESSURE DROP - - - -

AIR VELOCITY: DUCTED CONDITION

■ BASED ON ALPHA'S STANDARD TEST PROCEDURE. REFER TO TECHNICAL INFORMATION.

Alpha Company Ltd.

256-1 UEDA, NUMAZU-CITY SHIZUOKA-PREF., JAPAN
PHONE +81(55)966 0789
FAX +81(55)966 9192
E mail : alpha@micforg.co.jp
URL : http://www.micforg.co.jp

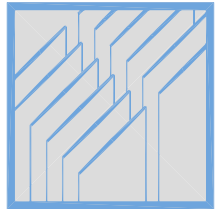
Alpha Novatech, Inc. - a subsidiary of Alpha Company.

473 Sapena Ct. #12 Santa Clara, CA 95054 USA
PHONE +1(408)567-8082
FAX +1(408)567-8053
E mail : sales@alphanovatech.com
URL : http://www.alphanovatech.com

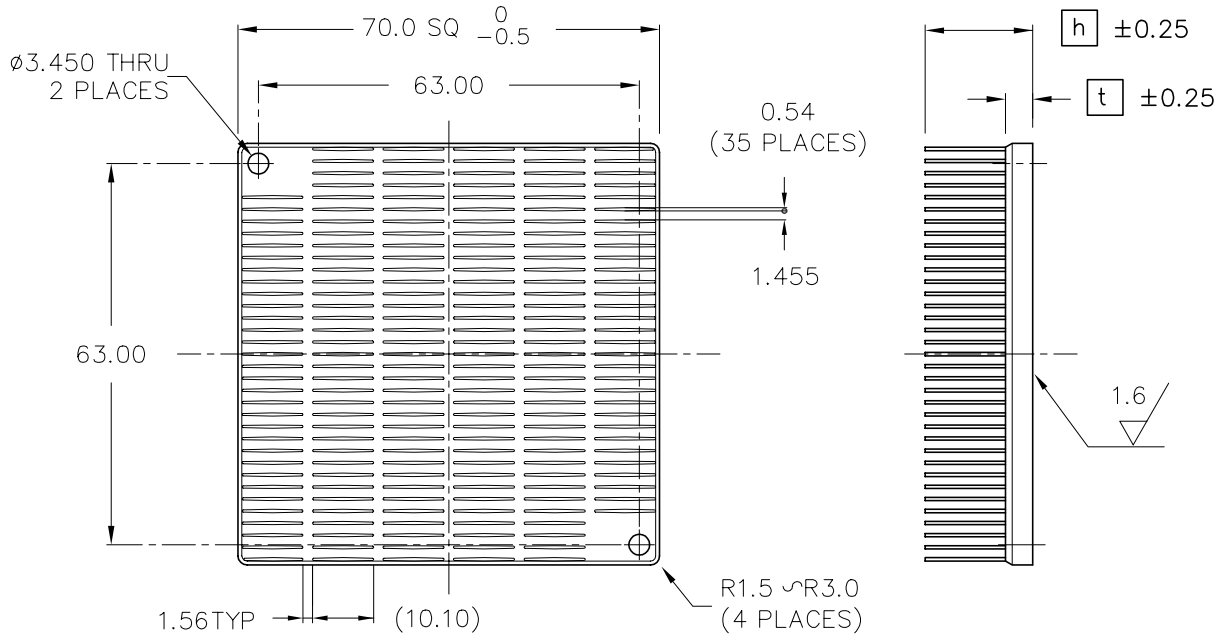
ALPHA

Low Pressure Drop and
Low Thermal Resistance Heat Sink
with attachment holes

UBH 70



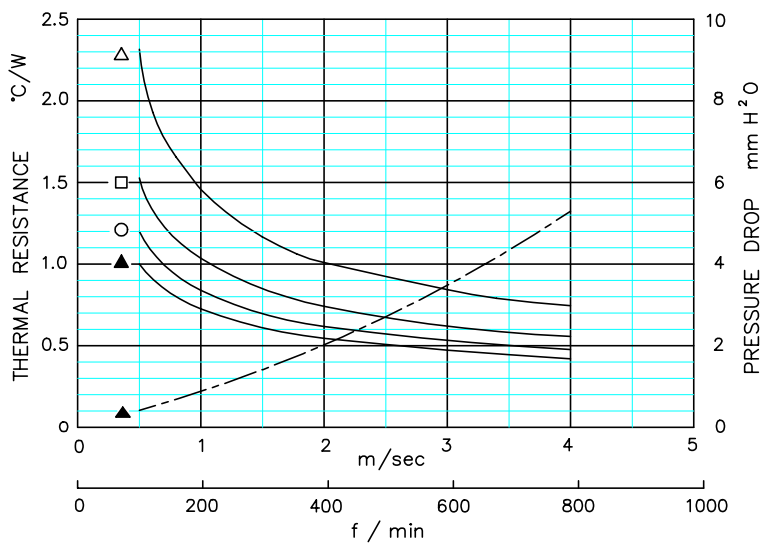
DIM



MODEL	HEIGHT h	THICKNESS t	WEIGHT (grams)
UBH70-10BP	10	3.0	75.1
UBH70-15BP	15	4.0	97.2
UBH70-20BP	20		108.9
UBH70-25BP	25		120.6

MATERIAL : A 6063
FINISH : BLACK ANODIZE
DIMENSIONS : mm

DATA



\triangle UBH70-10BP
 \square UBH70-15BP
 \circ UBH70-20BP
 \blacktriangle UBH70-25BP
 ● DUCTED CONDITION
 DUMMY HEATER SIZE: 12.7 SQ
 THERMAL RESISTANCE ———
 PRESSURE DROP - - -

AIR VELOCITY: DUCTED CONDITION

■ BASED ON ALPHA'S STANDARD TEST PROCEDURE.
 REFER TO TECHNICAL INFORMATION.

Alpha Company Ltd.

256-1 UEDA, NUMAZU-CITY SHIZUOKA-PREF., JAPAN
 PHONE +81(55)966 0789
 FAX +81(55)966 9192
 E mail : alpha@micforg.co.jp
 URL : <http://www.micforg.co.jp>

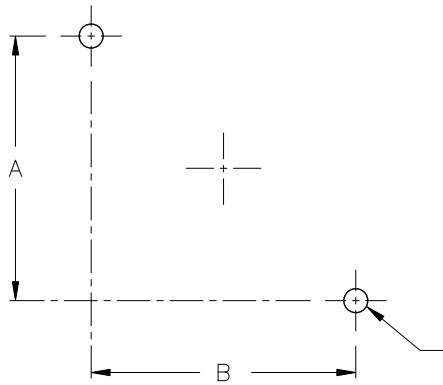
Alpha Novatech, Inc. - a subsidiary of Alpha Company.

473 Sapena Ct. #12 Santa Clara, CA 95054 USA
 PHONE +1(408)567-8082
 FAX +1(408)567-8053
 E mail : sales@alphanovatech.com
 URL : <http://www.alphanovatech.com>

REF



PCB HOLE LAYOUT



2X $\phi 3.175 \pm 0.05$ [$\phi 1.25 \pm .002$]

USE OF PLATED HOLES TO REDUCE EXCESSIVE WEAR
AND INSERTION FORCE IS RECOMMENDED.

LPDH30, UBH30, ZH30	23.0	23.0
LPDH35, UBH35, ZH35	28.0	28.0
LPDH40, UBH40, ZH40	33.0	33.0
LPDH45, UBH45, ZH45	38.0	38.0
LPDH50, UBH50, ZH50	43.0	43.0
LPDH54, UBH54, ZH54	47.0	47.0
LPDH60, UBH60, ZH60	53.0	53.0
LPDH70, UBH70	63.0	63.0
MODEL	A	B