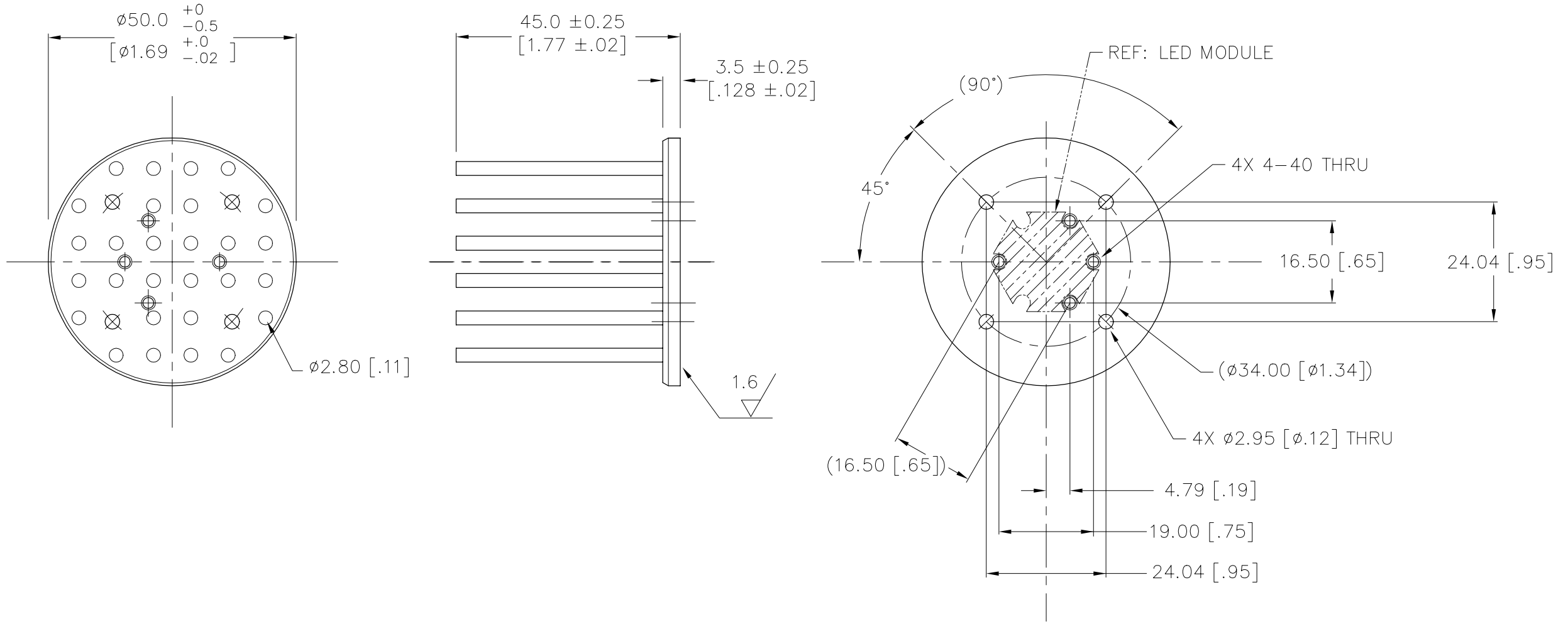


REVISIONS				
REV	DATE	DESCRIPTION	CHG	APPR



- NOTES : UNLESS OTHERWISE SPECIFIED
1. INTERPRET DIMENSIONS AND TOLERANCES PER ANSI Y14.5M
  2. ALL DIMENSIONS ARE IN MILLIMETERS [INCHES].
  3. MATERIAL : ALUMINUM 6063
  4. FINISH : BLACK ANODIZE
  5. TOLERANCES : .XX ±0.254 [ .010]  
.XXX ±0.127 [ .005]  
ANGLES ± 1°
  6. REMOVE ALL BURRS AND BREAK SHARP EDGES.  
UNSPECIFIED CORNER R0.5 MAX OR C0.5 MAX
  7. A BEND OF THE FIN: THE FINNS MUST NOT CONTACT.

ITEM	PART NO.	PART NAME	REMARK	Q'TY
<b>ALPHA CO..LTD.</b>			CSTM'R'S PART NO.	
		MATERIAL SEE NOTE3, 4	NAME CN50-45BM [STAR]	
SCALE 1 : 1	APPR & CHCK	PART NO. & DWG NO.		REV
DATE	DSGN & DWG	-----		
RDCTN:			LOFF:	