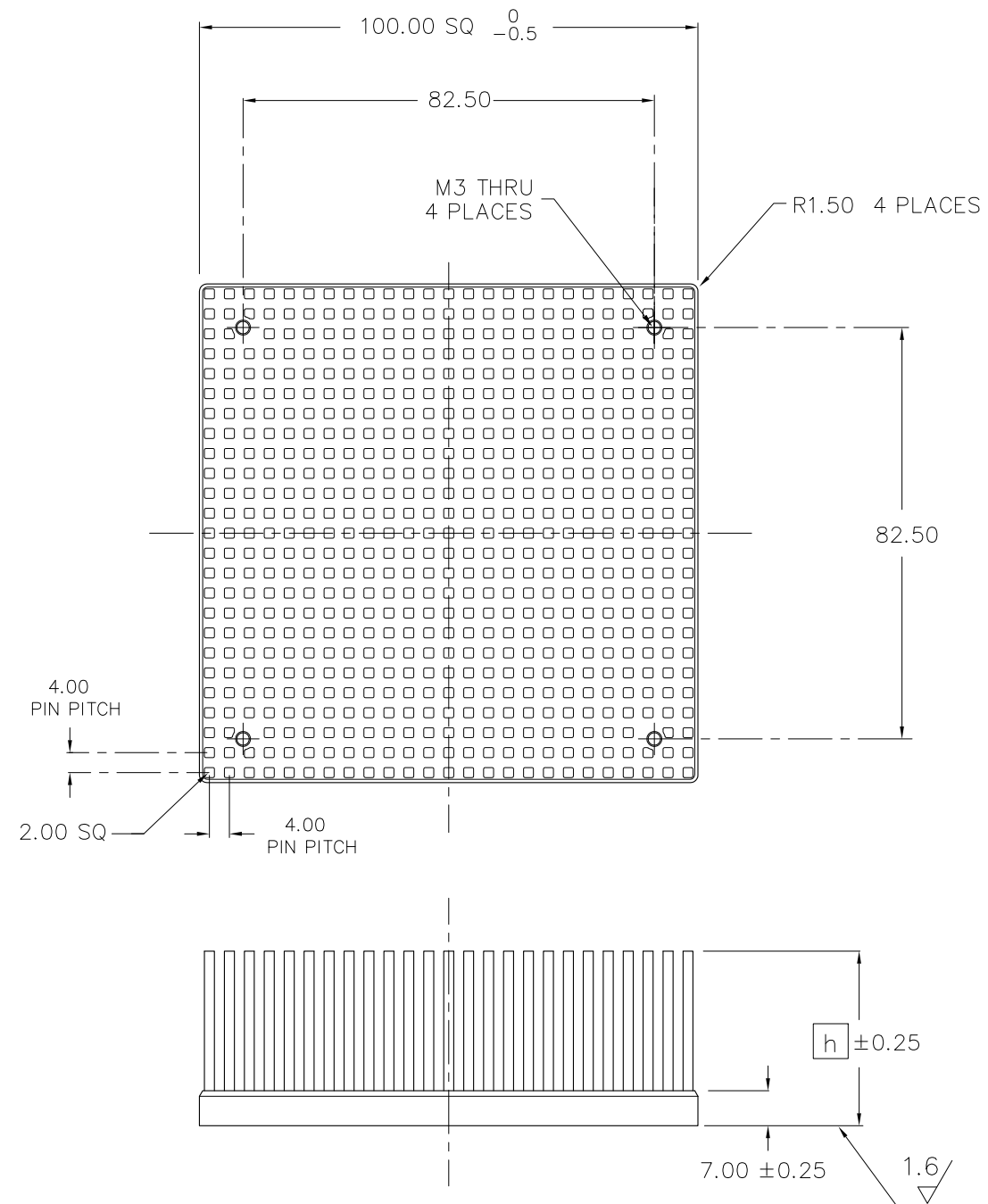


REVISIONS				
REV	DATE	DESCRIPTION	CHG	APPR



- NOTES : UNLESS OTHERWISE SPECIFIED
1. INTERPRET DIMENSIONS AND TOLERANCES PER ANSI Y14.5M
 2. ALL DIMENSIONS ARE IN MILLIMETERS.
 3. MATERIAL : ALUMINUM 6063
 4. FINISH : CLEAR ANODIZE
 5. TOLERANCES :
 .XX ±0.254
 .XXX ±0.127
 ANGLES ± 1°
 6. REMOVE ALL BURRS AND BREAK SHARP EDGES.
 UNSPECIFIED CORNER R0.5 MAX OR C0.5 MAX
 7. A BEND OF THE FIN: THE FINS MUST NOT CONTACT.

40	FS10040W	S001ZP1T	
25	FS10025W	S001ZP1S	
HEIGHT h	MODEL NO.	PART NO.	REMARK

ALPHA CO.,LTD.		CSTM'R'S PART NO.	
	MATERIAL NOTE 3, 4	NAME FS100 XXW	
SCALE 1 : 1	APPR & CHCK Y.SUZUKI	DWG NO. S001ZP1R	REV
DATE APR 17 2014	DSGN & DWG Y.SUZUKI	RDCTN:	LOFF: