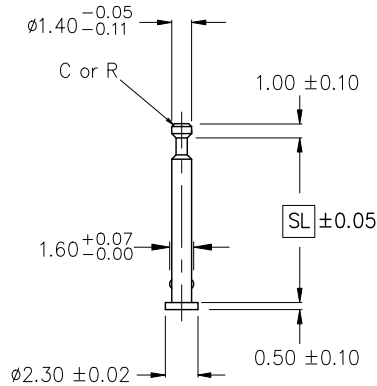


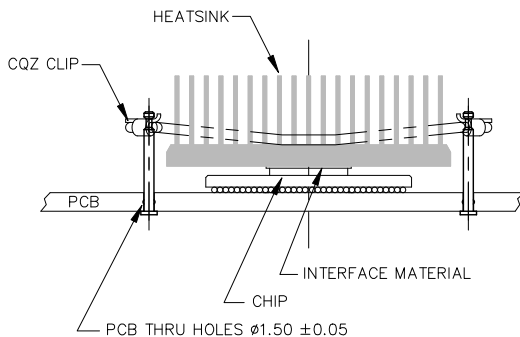


CNCR PINS ONLY REQUIRE 1.50mm DIAMETER HOLES IN THE PCB. THE SMALL FOOTPRINT GREATLY REDUCES THE AMOUNT OF PCB SPACE SACRIFICED FOR HEAT SINK ATTACHMENT, MINIMIZING OR ELIMINATING.



P/N	PART NAME	SL
S001YZ85	CNCR-8	8.00
S001YZ86	CNCR-9	9.00
S001YZ87	CNCR-10	10.00
S001YZ88	CNCR-11	11.00
S001YZ89	CNCR-12	12.00
S001YZ8A	CNCR-13	13.00
S001YZ8B	CNCR-14	14.00
S001YZ8C	CNCR-15	15.00
S001YZ8D	CNCR-16	16.00

- MATERIAL : SUS303 , SUS303CU OR SUS XM-7
- DIMENSIONS mm



REFERENCES:

- BOARD:
RECOMMENDED $\phi 1.50 \pm 0.05$ THRU HOLES IN BOARD.
THE USE OF NON-PLATED HOLES IS RECOMMENDED.
- VARIOUS COQZ CLIPS & CNCR ANCHOR PIN LENGTHS ARE STANDARDIZED AND CAN BE USED WITH MANY OF OUR STANDARD CATALOG HEATSINKS.
THE PIN LENGTH CAN BE USED WITH DIFFERENT PCB THICKNESS AND CHIP HEIGHTS TO ADJUST THE CLIP ATTACHMENT FORCE.

JUN 2023

Alpha Company Ltd.

256-1 UEDA, NUMAZU-CITY SHIZUOKA-PREF., JAPAN
 PHONE +81(55)966 0789
 FAX +81(55)966 9192
 E mail : alpha@micforg.co.jp
 URL : <https://www.micforg.co.jp>

Alpha Novatech, Inc. - a subsidiary of Alpha Company.

473 Sapena Ct. #12 Santa Clara, CA 95054 USA
 PHONE +1(408)567-8082
 FAX +1(408)567-8053
 E mail : sales@alphanovatech.com
 URL : <https://www.alphanovatech.com>