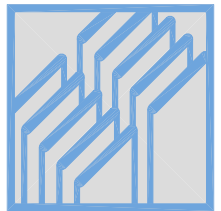


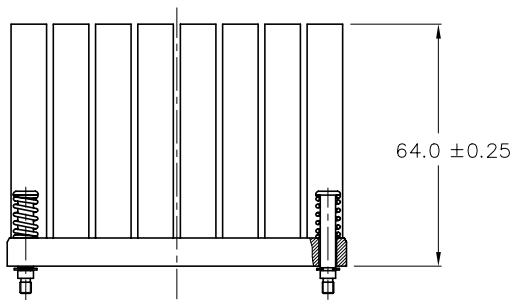
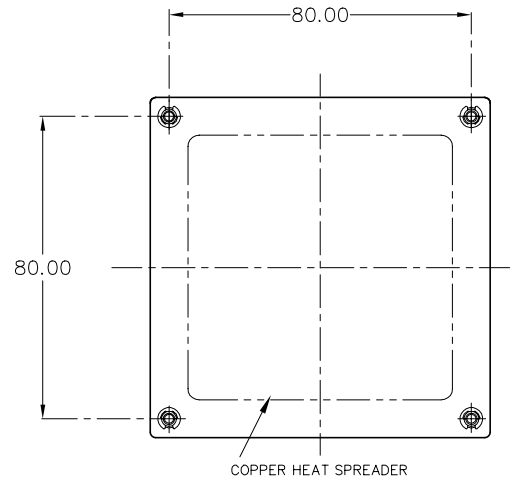
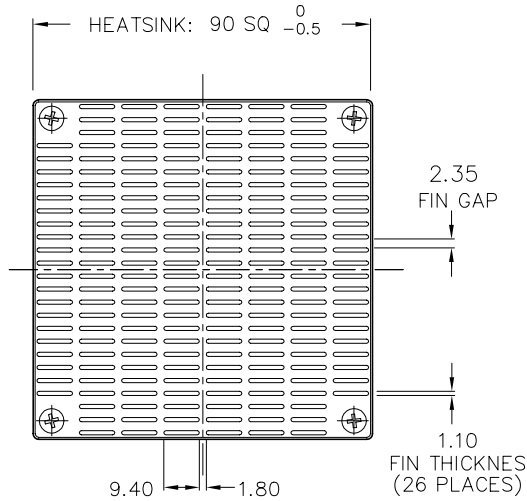
# ALPHA

for Nehalem

# L90C-64NT



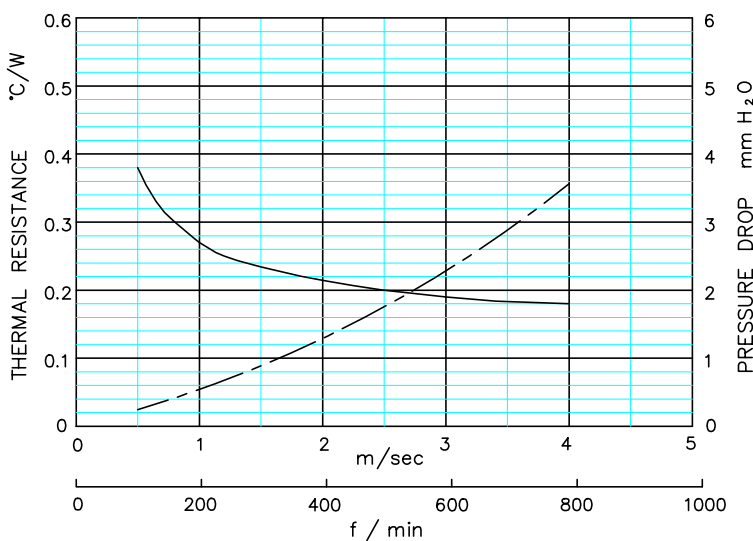
DIM



- HEAT SINK  
MATERIAL : A 6063  
COPPER EMBEDDED  
FINISH : NONE
- CAPTIVE SPRING SCREW  
SHOULDER-SCREW  
STEEL ZINC/CHROMATE(Cr3+)  
SPRING  
SWP-B ZINC/CHROMATE(Cr3+)  
E-RETAINING RING  
STAINLESS STEEL
- TOTAL WEIGHT: 576 g

DIMENSIONS : mm

DATA



AIR VELOCITY: DUCTED CONDITION

L90C-64NT

- DUCTED CONDITION  
THERMAL RESISTANCE ———  
PRESURE DROP - - - - -

■ BASED ON ALPHA'S STANDARD TEST PROCEDURE.  
REFER TO TECHNICAL INFORMATION.

Alpha Company Ltd.

256-1 UEDA, NUMAZU-CITY SHIZUOKA-PREF., JAPAN  
PHONE +81(55)966 0789  
FAX +81(55)966 9192  
E mail : alpha@micforg.co.jp  
URL : http://www.micforg.co.jp

Alpha Novatech, Inc. - a subsidiary of Alpha Company.

473 Sapena Ct. #12 Santa Clara, CA 95054 USA  
PHONE +1(408)567-8082  
FAX +1(408)567-8053  
E mail : sales@alphanovatech.com  
URL : http://www.alphanovatech.com