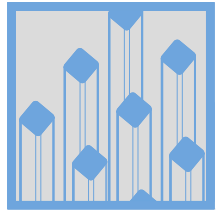


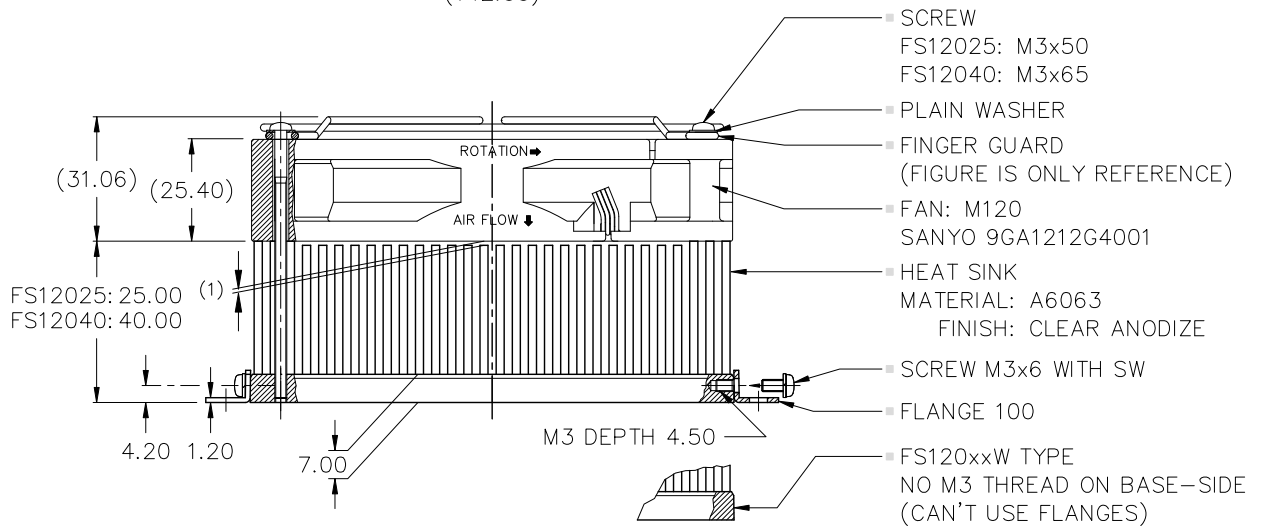
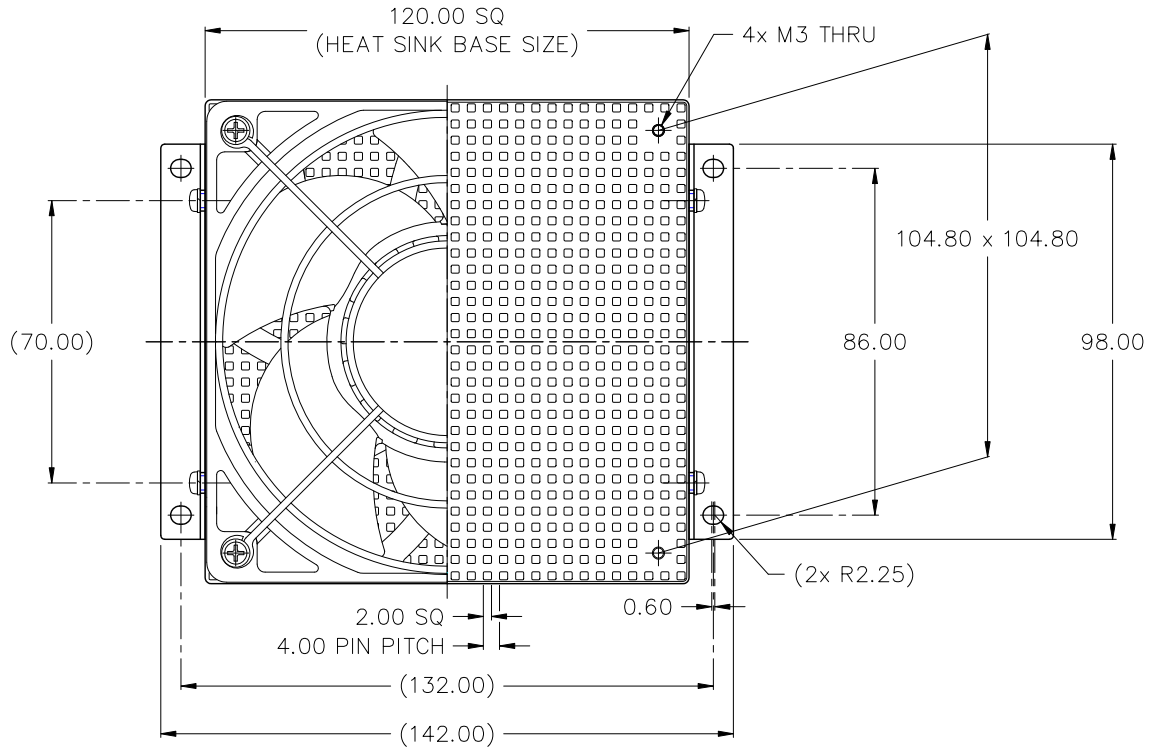
# ALPHA

## Active Heat Sink

# FS120



DIM



DIMENSIONS : mm

DATA



Model	Thermal Resistance (°C/W)	0	0.5
FS12025PU	0.13 °C/W	[Bar chart showing performance at 0 and 0.5 °C/W]	
FS12040PU	0.11 °C/W	[Bar chart showing performance at 0 and 0.5 °C/W]	

■ TESTING SPECIFICATIONS DUMMY HEATER SIZE: 70SQ  
 ■ BASED ON ALPHA'S STANDARD TEST PROCEDURE. REFER TO TECHNICAL INFORMATION.

Alpha Company Ltd.

256-1 UEDA,NUMAZU-CITY SHIZUOKA-PREF.,JAPAN  
 PHONE +81(55)966 0789  
 FAX +81(55)966 9192  
 E mail : alpha@micforg.co.jp  
 URL : https://www.micforg.co.jp

Alpha Novatech, Inc. - a subsidiary of Alpha Company.

473 Sapena Ct. #12 Santa Clara, CA 95054 USA  
 PHONE +1(408)567-8082  
 FAX +1(408)567-8053  
 E mail : sales@alphanovatech.com  
 URL : https://www.alphanovatech.com