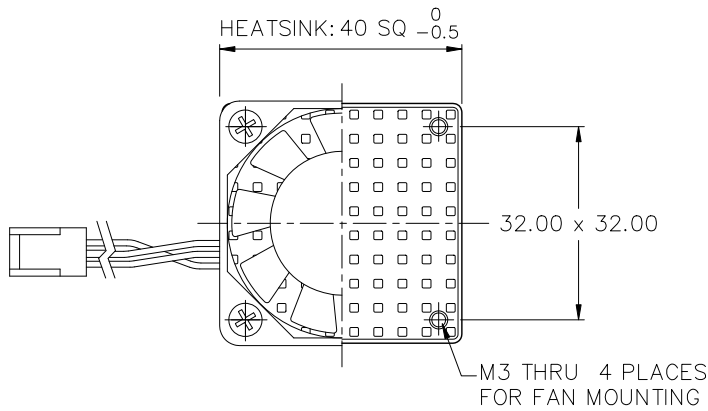
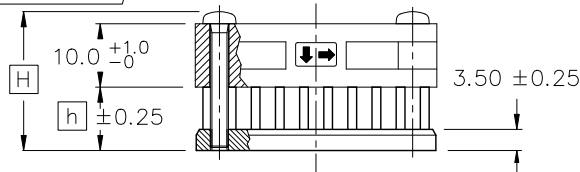


### DIM

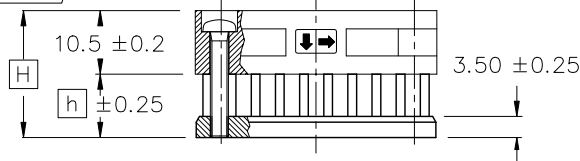


- HEAT SINK  
MATERIAL : A 6063  
FINISH : CLEAR ANODIZE
- FAN  
M42: SANYO DENKI 109P0412H901  
40 SQ +1.0/-0 (12V)  
M47: SANYO DENKI 109P0405H901  
40 SQ +1.0/-0 (5V)  
M45: COFAN F-4010H12BII-12  
40.5 SQ ±0.4 (12V)
- SCREW  
PAN HEAD M3  
STEEL ZINC / CHROMATE (Cr3+)

FAN: M42, M47



FAN: M45



MODEL	HEIGHT		WEIGHT (grams)
	H	h	
FS40-8M42	(20.5)	8.0	44.0
FS40-15M42	(27.5)	15.0	46.0
FS40-8M45	(18.5)	8.0	43.5
FS40-15M45	(25.5)	15.0	45.5
FS40-8M47	(20.5)	8.0	44.0
FS40-15M47	(27.5)	15.0	46.0

DIMENSIONS : mm

### DATA



MODEL	DUMMY HEATER SIZE	THERMAL RESISTANCE (°C/W)
FS40-8M42 (M47)	DUMMY HEATER: 12.7SQ	2.32 °C/W
	DUMMY HEATER: 25 SQ	2.06 °C/W
FS40-15M42 (M47)	DUMMY HEATER: 12.7SQ	1.63 °C/W
	DUMMY HEATER: 25 SQ	1.38 °C/W
FS40-8M45	DUMMY HEATER: 12.7SQ	1.75 °C/W
	DUMMY HEATER: 25 SQ	1.55 °C/W
FS40-15M45	DUMMY HEATER: 12.7SQ	1.19 °C/W
	DUMMY HEATER: 25 SQ	1.01 °C/W

■ TESTING SPECIFICATIONS DUMMY HEATER SIZE: 12.7SQ & 25SQ  
 ■ BASED ON ALPHA'S STANDARD TEST PROCEDURE. REFER TO TECHNICAL INFORMATION.