

# FSR Series

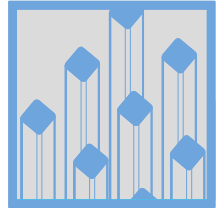
Active Heat Sink  
with Mounting Tabs

**ALPHA**

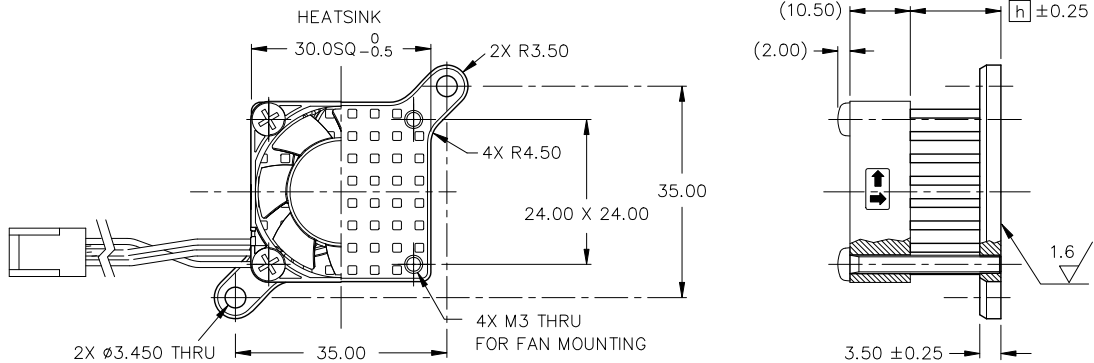
# ALPHA

## Active Heat Sink with Mounting Tabs

# FSR30



### DIM



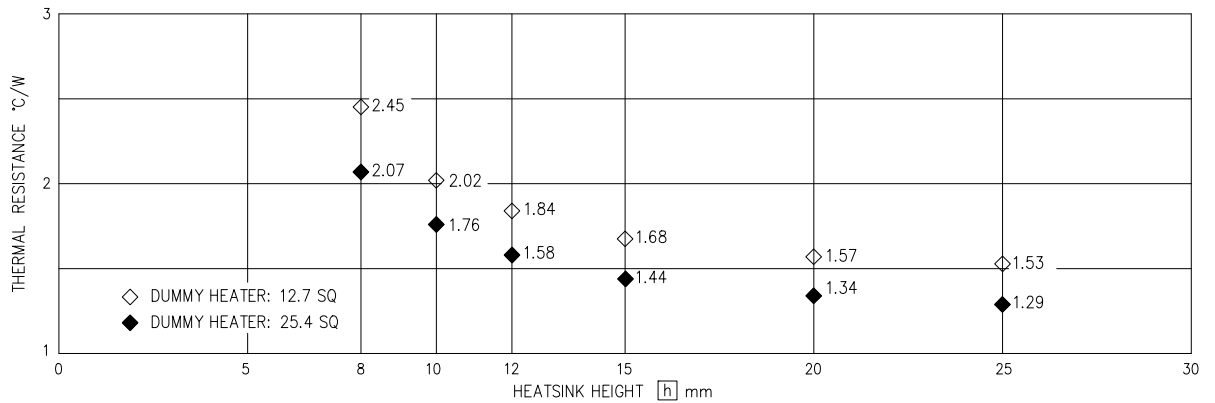
- HEAT SINK MATERIAL : A6063 FINISH : BLACK ANODIZE
- FAN M32: COFAN AGE0310B12U-09 30 SQ +/-0.5, 10.5 +/-0.5 THK
- SCREW (Q'TY 4) PAN HEAD PHILLIPS M3 STEEL Cr3+
- FAN DETAIL: PLEASE VISIT OUR WEBSITE.

HEATSINK HEIGHT [h]	WEIGHT (grams)	MODEL	WEIGHT (grams)
8.00	10.4	FSR30-8M32	23.8
10.00	11.1	FSR30-10M32	25.3
12.00	11.7	FSR30-12M32	26.3
15.00	12.7	FSR30-15M32	28.1
20.00	14.4	FSR30-20M32	30.2
25.00	16.1	FSR30-25M32	32.7

■ TO SELECT PUSH PINS AND SPRINGS, TO APPLY TIM. PLEASE VISIT OUR WEBSITE.

DIMENSIONS : mm

### DATA

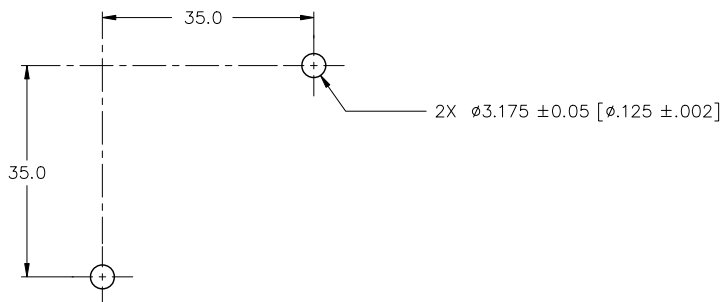


■ TESTING SPECIFICATIONS, DUMMY HEATER SIZE : 12.7SQ & 25.4 SQ  
 ■ BASED ON ALPHA'S STANDARD TEST PROCEDURE. REFER TO TECHNICAL INFORMATION.

### REF



PCB HOLE LAYOUT



Alpha Company Ltd.

256-1 UEDA, NUMAZU-CITY SHIZUOKA-PREF., JAPAN  
 PHONE +81(55)966 0789  
 FAX +81(55)966 9192  
 E mail : alpha@micforg.co.jp  
 URL : <https://www.micforg.co.jp>

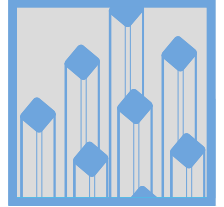
Alpha Novatech, Inc. - a subsidiary of Alpha Company.

473 Sapena Ct. #12 Santa Clara, CA 95054 USA  
 PHONE +1(408)567-8082  
 FAX +1(408)567-8053  
 E mail : sales@alphanovatech.com  
 URL : <https://www.alphanovatech.com>

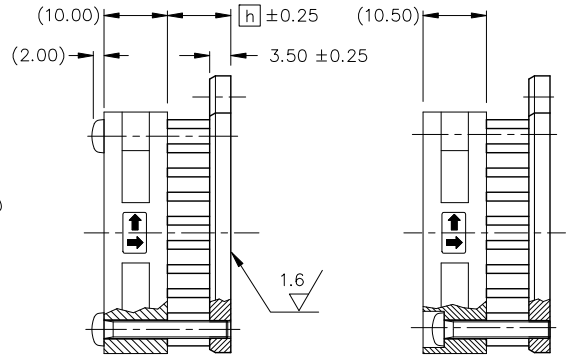
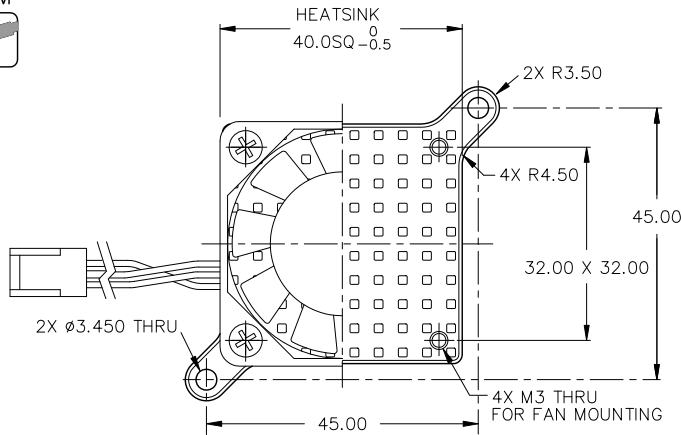
# ALPHA

## Active Heat Sink with Mounting Tabs

# FSR40



### DIM



- HEAT SINK MATERIAL : A6063  
FINISH : BLACK ANODIZE
- SCREW (Q'TY 4) PAN HEAD PHILLIPS M3 STEEL Cr3+

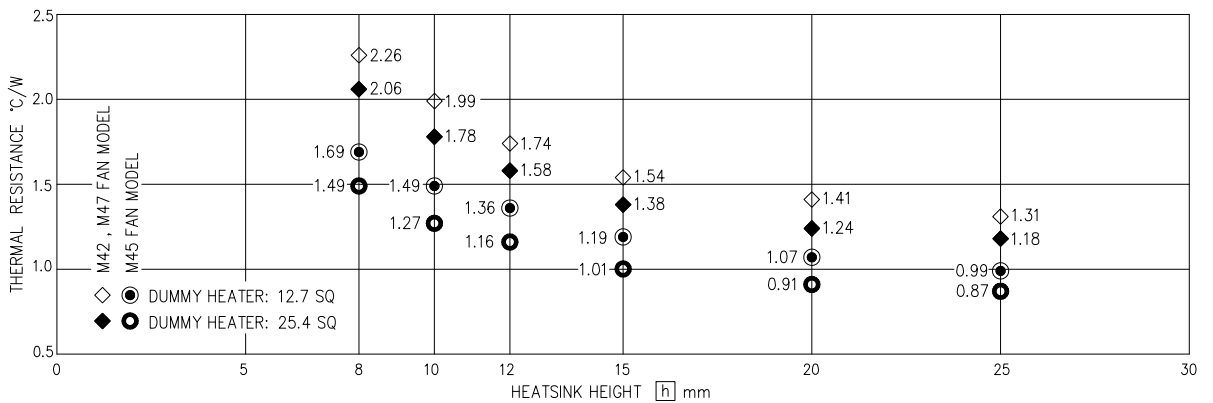
- FAN M42: SANYO DENKI (12V FAN) 109P0412H901  
M47: SANYO DENKI (5V FAN) 109P0405H901  
40 SQ +1/-0, 10 +1/-0 THK
- M45: COFAN F-4010H12BI-12  
40.5 SQ ±0.4, 10.5 ±0.2 mm THK
- FAN DETAIL: PLEASE VISIT OUR WEBSITE.

HEATSINK HEIGHT [h]	WEIGHT (grams)	M42 FAN MODEL	WEIGHT (grams)	M45 FAN MODEL	WEIGHT (grams)	M47 FAN MODEL	WEIGHT (grams)
8.00	18.2	FSR40-8M42	42.0	FSR40-8M45	36.2	FSR40-8M47	42.5
10.00	19.3	FSR40-10M42	43.9	FSR40-10M45	37.8	FSR40-10M47	44.2
12.00	18.2	FSR40-12M42	45.4	FSR40-12M45	38.9	FSR40-12M47	45.7
15.00	21.4	FSR40-15M42	47.2	FSR40-15M45	41.0	FSR40-15M47	47.9
20.00	24.9	FSR40-20M42	51.1	FSR40-20M45	45.0	FSR40-20M47	51.4
25.00	27.7	FSR40-25M42	54.7	FSR40-25M45	48.6	FSR40-25M47	55.0

■ TO SELECT PUSH PINS AND SPRINGS, TO APPLY TIM. PLEASE VISIT OUR WEBSITE.

DIMENSIONS : mm

### DATA

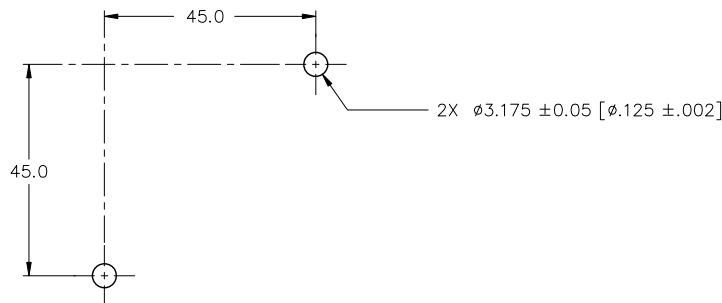


■ TESTING SPECIFICATIONS, DUMMY HEATER SIZE : 12.7SQ & 25.4 SQ  
 ■ BASED ON ALPHA'S STANDARD TEST PROCEDURE. REFER TO TECHNICAL INFORMATION.

### REF



PCB HOLE LAYOUT



Alpha Company Ltd.

256-1 UEDA, NUMAZU-CITY SHIZUOKA-PREF., JAPAN  
 PHONE +81(55)966 0789  
 FAX +81(55)966 9192  
 E mail : alpha@micforg.co.jp  
 URL : <https://www.micforg.co.jp>

Alpha Novatech, Inc. - a subsidiary of Alpha Company.

473 Sapena Ct. #12 Santa Clara, CA 95054 USA  
 PHONE +1(408)567-8082  
 FAX +1(408)567-8053  
 E mail : sales@alphanovatech.com  
 URL : <https://www.alphanovatech.com>