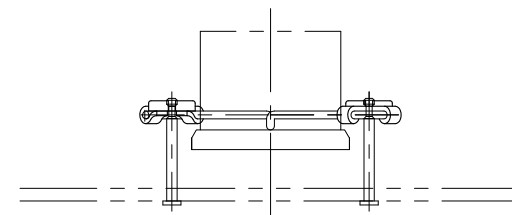
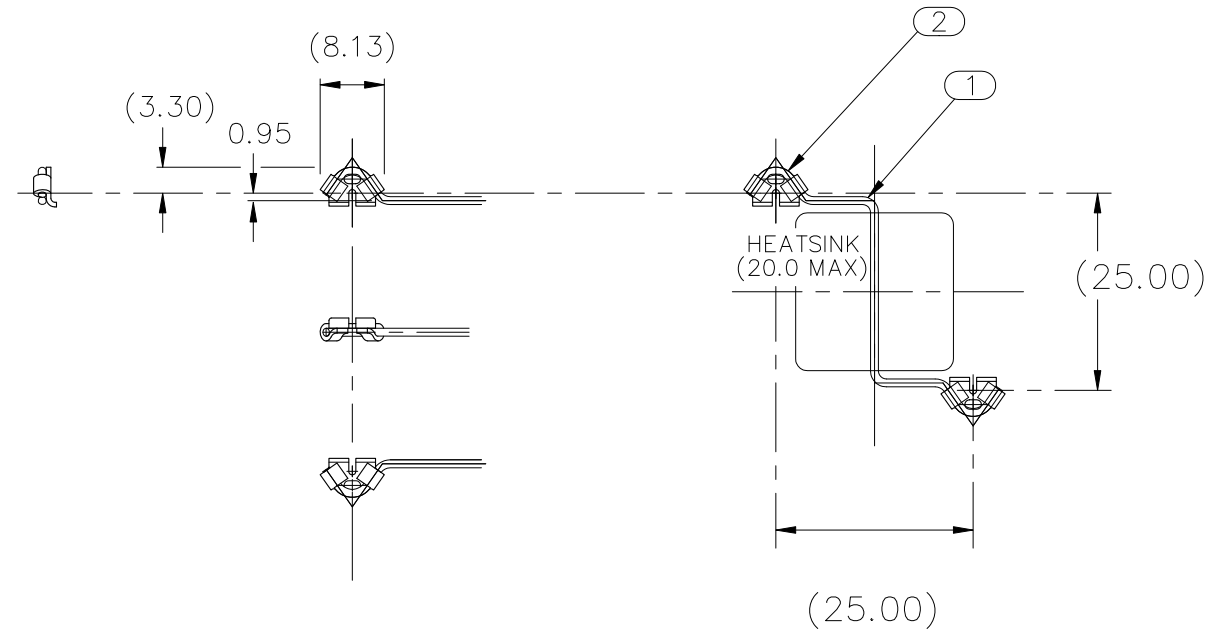


REVISIONS				
REV	DATE	DESCRIPTION	CHG	APPR



ANCHOR LAYOUT ON BOARD  
REQUIRES  $\phi 1.50 \pm 0.05$  THRU HOLES  
FOR ANCHORS IN BOARD.

- NOTES : UNLESS OTHERWISE SPECIFIED
1. INTERPRET DIMENSIONS AND TOLERANCES PER ANSI Y14.5M
  2. ALL DIMENSIONS ARE IN MILLIMETERS.
  3. TOLERANCES :  
 .XX  $\pm 0.254$   
 .XXX  $\pm 0.127$   
 ANGLES  $\pm 5^\circ$

ITEM	PART NO.	PART NAME	REMARK	Q'TY
②	S001YZ6Z	R-HOOK PLATE	STAINLESS STEEL SUS304(2B) 0.6 THICK	2
①	S001ZBLB	CQZL25-25-S	SW-C (SWIC-F NICKEL PRECOATED) WIRE DIA 1.00	1

<b>ALPHA CO.,LTD.</b>		CSTM'R'S PART NO.	
	MATERIAL SEE NOTE 3	NAME CQZL25-25	
SCALE 1 : 1	APPR & CHCK T. SUZUKI	PART NO. & DWG NO. S001ZBL5	REV
DATE SEP. 13, 2022	DSGN & DWG T. SUZUKI	RDCTN:	LOFF: