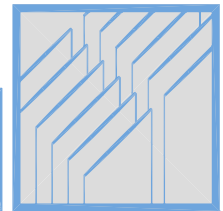
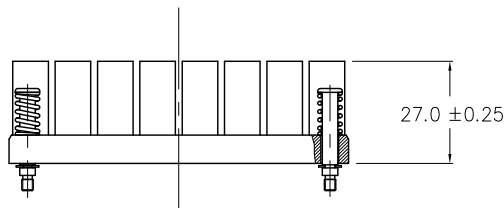
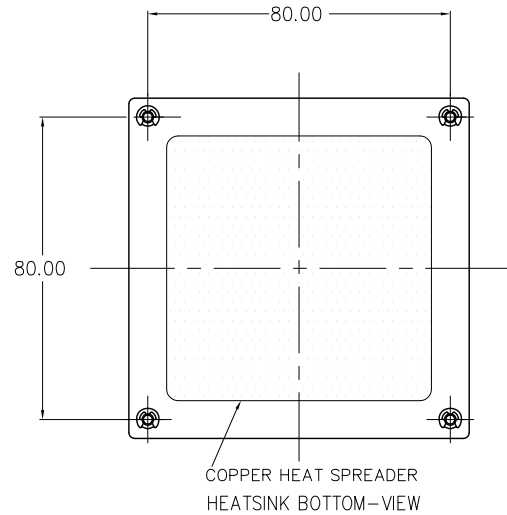
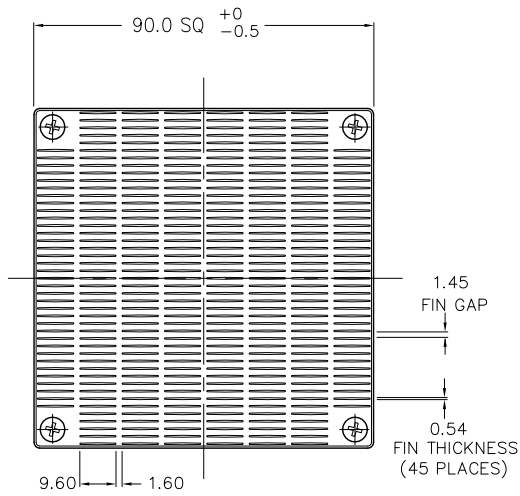


ALPHA

U90C-27NT

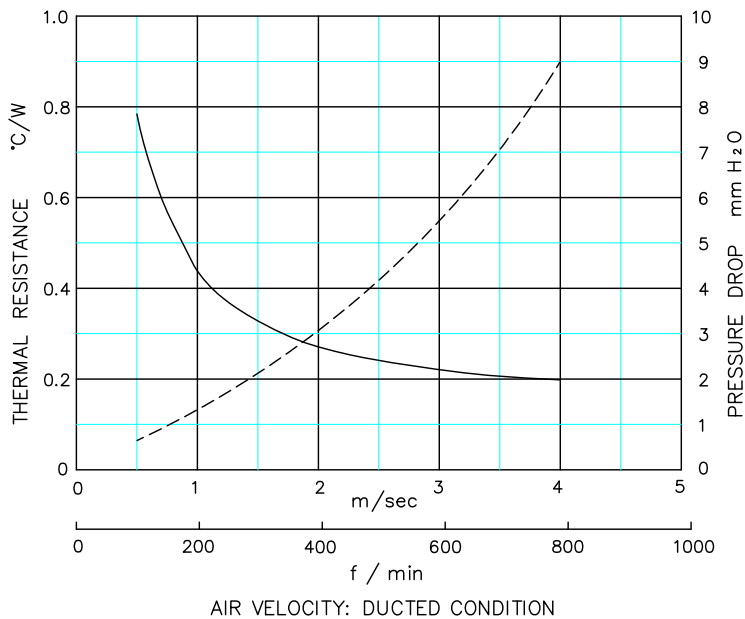


DIM



- HEAT SINK
MATERIAL : A 6063
COPPER EMBEDDED
FINISH : NONE
- CAPTIVE SPRING SCREW
SHOULDER-SCREW
STEEL ZINC/CHROMATE(Cr3+)
SPRING
SWP-A ZINC/CHROMATE(Cr3+)
E-RETAINING RING
STAINLESS STEEL
- TOTAL WEIGHT 394g
DIMENSIONS : mm

DATA



U90C-27NT

- DUCTED CONDITION
- THERMAL RESISTANCE
- - - PRESSURE DROP

■ BASED ON ALPHA'S STANDARD TEST PROCEDURE.
REFER TO TECHNICAL INFORMATION.

Alpha Company Ltd.

256-1 UEDA, NUMAZU-CITY SHIZUOKA-PREF., JAPAN
 PHONE +81(55)966 0789
 FAX +81(55)966 9192
 E mail : alpha@micforg.co.jp
 URL : http://www.micforg.co.jp

Alpha Novatech, Inc. - a subsidiary of Alpha Company.

473 Sapena Ct. #12 Santa Clara, CA 95054 USA
 PHONE +1(408)567-8082
 FAX +1(408)567-8053
 E mail : sales@alphanovatech.com
 URL : http://www.alphanovatech.com